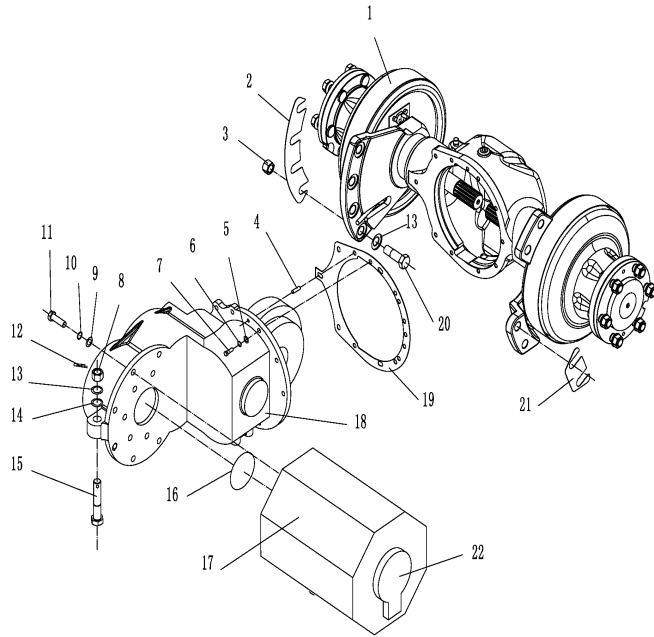


255198501001 驱动系统/Drive system

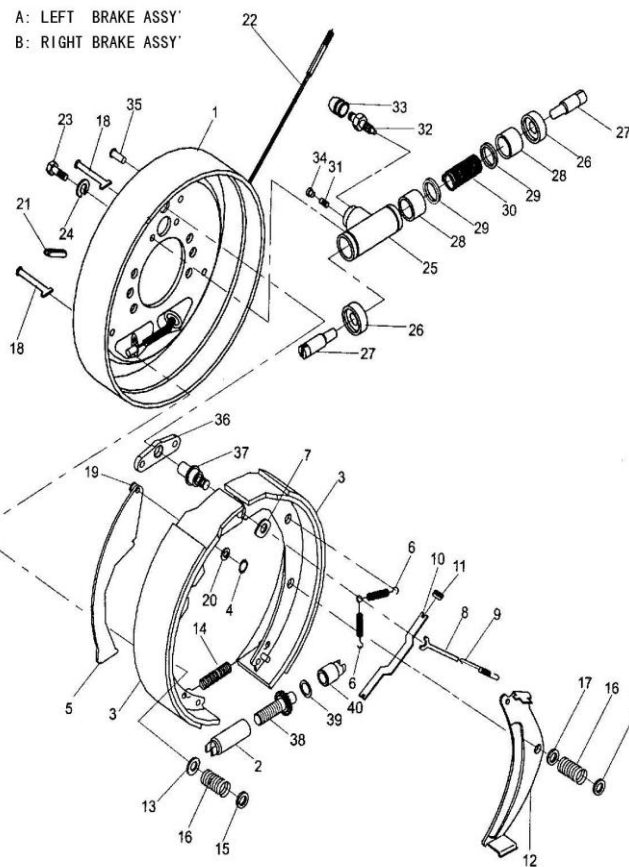


序号/NO	编码/SN	Name	名称	数量/QTY	备注/Remarks
1	255013510001	Drive axle(DW)	驱动桥(DW)	1	
	255013510002	Drive axle(KD)	驱动桥(KD)		
2	255013520003	Adjusting shim 1	调整垫片1	1	
3	255013520002	Nut M20x1.5	螺母M20x1.5	8	
4	910600100021	Dowel pin GB119.2-8x25	圆柱销GB119.2-8x25	1	
5	910400100007	Washer GB97.1-10-200HV	平垫圈GB97.1-10-200HV	12	
6	910400500007	Washer GB93-10	弹簧垫圈GB93-10	12	
7	910100400004	Bolt GB5786-M10x1.25x30-8.8	螺栓GB5786-M10x1.25x30-8.8	12	
8	910300900002	Nut GB6178-M20-8	螺母GB6178-M20-8	1	
9	910400100009	Washer GB97.1-14-200HV	平垫圈GB97.1-14-200HV	5	
10	910400500009	Washer GB93-14	弹簧垫圈GB93-14	5	
11	910100200010	Bolt GB5785-M14x1.5x50-8.8	螺栓GB5785-M14x1.5x50-8.8	5	
12	910600600037	Split pin GB91-4x40	开口销GB91-4x40	1	
13	910400500012	Washer GB93-20	弹簧垫圈GB93-20	9	
14	910400100012	Washer GB97.1-20-200HV	平垫圈GB97.1-20-200HV	1	
15	910100500006	BoltGB31.1-M20x90-8.8	螺栓GB31.1-M20x90-8.8	1	
16	910800100020	O ring 90x2.65	O形圈-内90x2.65	1	
17	920900100037	Motor ( HP)	电机(HP)	1	选装/Optional
	920900100034	Motor (WN)	电机(WN)	1	选装/Optional
18	255014010002	Gear box (ZN)	变速箱(ZN)	1	选装/Optional
	255014012002	Gear box(JD)	减速箱总成(JD)	1	选装/Optional
19	255013520005	Seal washer	密封垫	1	
20	255013520001	Bolt M20x1.5x66	螺栓M20x1.5x66	1	
21	255013520004	Adjusting washer 2	调整垫片2	1	
22	255098513251	Encoder (HP)	编码器(HP)	1	选装/Optional
	255098513253	Encoder (WN)	编码器 ( WN)	1	选装/Optional



### 255198501003制动器总成/Brake assembly

A: LEFT BRAKE ASSY  
B: RIGHT BRAKE ASSY

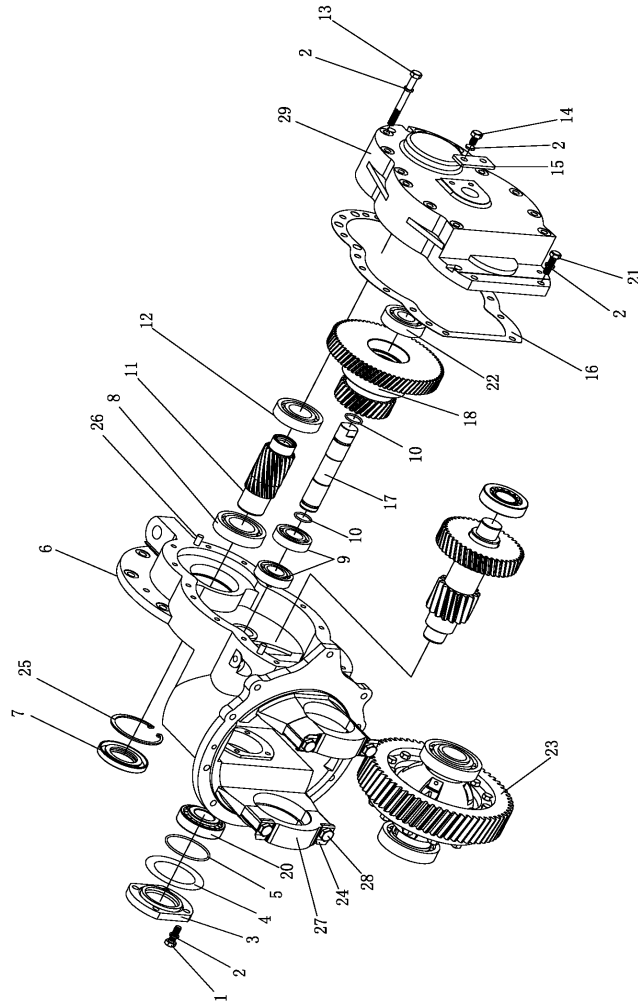


序号/NO	编码/SN	Name	名称	数量/QTY	备注/Remark
A	255098513501	Brake assembly (left) REF000560xL	制动器总成(左)REF000560xL	1	包含1-40
-	255098513508	Brake assembly (right) REF000560xR	制动器总成(右)REF000560xR	1	
1	255098523401	Brake base assembly 23653-73011	制动器底板总成23653-73011	1	左右各一
	255098523402	Brake base assembly 23653-73011-R	制动器底板总成23653-73011-R	1	
2	255098523403	Gap adjusting sleeve 23653-72041	间隙调整套23653-72041	1	左右爬螺旋各一
	255098523404	Gap adjusting sleeve 23653-72041-R	间隙调整套23653-72041-R	1	
3	255098513502	Friction plate assembly 23653-73021	摩擦片总成23653-73021	2	无石棉
4	255098523405	Resilient pad 24433-70160G	弹性垫片24433-70160G	1	
5	255098523406	Hand brake lever 23653-72071C	手制动拉杆23653-72071C	1	左右对称各一
5	255098523407	Hand brake lever 23653-72071C-R	手制动拉杆23653-72071C-R	1	
6	255098523408	Return spring 23673-72261	回位弹簧23673-72261	2	
7	255098523409	Gasket 23653-72131	垫片23653-72131	1	
8	255098523410	Top material 23653-72161	顶杆23653-72161	1	
9	255098523411	Tension spring 2353-72171	拉簧2353-72171	1	
10	255098523412	Hand brake push rod 23653-72081	手制动推杆23653-72081	1	
11	255098523413	Compression spring 23673-72391	压缩弹簧23673-72391	1	
12	255098523414	Adjusting lever 23653-72151	调整杠杆23653-72151	1	左右对称各一
	255098523415	Adjusting lever 23653-72151-R	调整杠杆23653-72151-R	1	
13	255098523416	Pressure spring seat 23653-72191	压簧座23653-72191	1	
14	255098523417	spring 23653-72051	弹簧23653-72051	1	
15	255098523418	Pressure spring cover 23653-72111	压簧盖23653-72111	2	
16	255098523419	Spring 23653-72091	弹簧23653-72091	1	左右螺旋各一
	255098523420	Spring 23653-72091-R	弹簧23653-72091-R	1	
17	255098523421	Pressure spring seat 23653-72121	压簧座23653-72121	1	
18	255098523422	Compression spring rod 23653-72101	压簧拉杆23653-72101	2	
19	255098523423	Fulcrum post 22673-72231	支撑销22673-72231	1	
20	255098523424	Gasket 22673-72251	垫片22673-72251	1	
21	255098523425	Glue plug 22673-72321	胶堵22673-72321	1	
22	255098513503	Brake cable assembly (left)	制动钢索总成(左)	1	用于左制动器
	255098513504	Brake cable assembly (right)	制动钢索总成(右)	1	用于右制动器
23	910400500006	Bolt GB5782-M8x16	螺栓GB5782-M8x16	1	





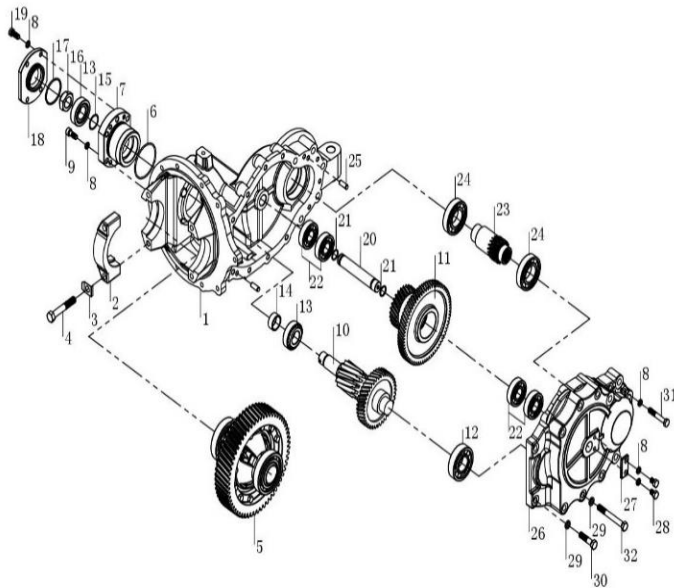
### 252198501006 变速箱 (ZN) /Gear box (ZN)



序号/NO	编码/SN	Name	名称	数量/QTY	备注/Remark
1	910100300036	Bolt	螺栓M10X25	4	
2	910400500007	Spring washer	弹簧垫圈10	20	
3	255098524003	Bearing cap	轴承盖	1	
4	255098524004	Spacer	垫片	4	
5	910800100032	O seal ring	O形密封圈75X3.1	1	
6	255098524006	Box	箱体	1	
7	255098524007	Oil seal	油封TC45X85X10	1	
8	910700200024	Bearing6209	深沟球轴承6209	1	
9	910700200021	Bearing6206	深沟球轴承6206	3	
10	255098524010	O-ring	O形密封圈25X2.65	2	
11	255098524011	Input shaft assembly	输入轴组件	1	
12	910700200023	Bearing6208	深沟球轴承6208	1	
13	910100100125	Bolt M10X100	螺栓M10X100	12	
14	910100300034	Bolt M10X16	螺栓M10X16	2	
15	255098524017	Stop dog	挡块	1	
16	255098524019	Paper pad	纸垫	1	
17	255098524020	axle	轴	1	
18	255098524021	Gear	双联齿轮	1	
19	255098524022	Gear assembly	齿轴组件	1	
20	255098524023	Bearing32207	圆锥滚子轴承32207	2	
21	910100300038	Bolt M10X35	螺栓M10X35	2	
22	255098524042	Bearing 6306	深沟球轴承6306	1	
23	255098524043	Differential assembly	差速器总成	1	
24	255098524027	Locking plate	锁片	4	
25	255098524044	Hole with elastic retainer 85	孔用弹性挡圈85	1	
26	910600100013	Pin6X20	圆柱销6X20	2	
27	255098524025	Bearing seat	轴承座	2	
28	255098524026	Bolt	螺栓	4	
29	255098524018	Box cover	箱盖	1	



### 252198501008 变速箱(JD)/Gear box (JD)



序号/NO	编码/SN	Name	名称	数量/QTY	备注/Remark
1	254198524001	Box	箱体	1	
2	254198524002	Bearing pedestal	轴承座	2	
3	254198524003	Lock plate	锁片	4	
4	254198524004	Box	螺栓	4	
5	254198524005	Differential assembly	差速器总成	1	
6	254198524006	O-ring 85×3.1	O形密封圈85×3.1	1	
7	254198524007	Bearing pedestal	轴承座	1	
8	254198524008	Spring washer 10	弹簧垫圈10	16	
9	254198524009	Bolt M10×25	螺栓M10×25	6	
10	254198524010	Twin gear shaf	齿轴	1	
11	254198524011	Twin gear	双联齿轮	1	
12	254198524012	Bearing NJ307E	轴承NJ307E	1	
13	254198524013	Bearing 32206	轴承32206	2	
14	254198524014	Bush	衬套	1	
15	254198524015	Adjustable pad	调整垫	按需	
16	254198524016	Locknut	锁紧螺母	1	
17	254198524017	O-ring 62×3.1	O形密封圈62×3.1	1	
18	254198524018	End cover	端盖	1	
19	254198524019	Bolt M10×1.25×25	螺栓M10×1.25×25	4	
20	254198524020	Axle	轴	1	
21	254198524021	O-ring 30×2.4	O型密封圈30×2.4	2	
22	254198524022	Bearing 6206/p5	轴承6206/p5	2	
23	254198524023	Bearing 6306/p5	轴承6306/p5	1	
24	254198524024	Input gear	输入齿轮	1	
25	254198524025	Bearing 6208	轴承	2	
26	254198524026	Pin B10×28	销B10×28	2	
27	254198524027	Case cover	箱盖	1	
28	254198524028	Batter board	定位板	1	
29	254198524029	Bolt M10×1.25×15	螺栓M10×1.25×15	2	
30	254198524030	Spring washer 12	弹簧垫圈12	8	
31	254198524031	Bolt M12×1.25×50	螺栓M12×1.25×50	2	

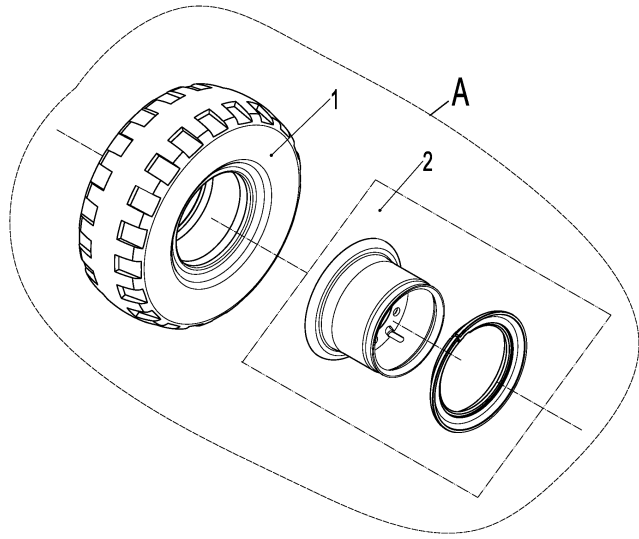






252198501010 驱动轮总成/Drive wheel assembly

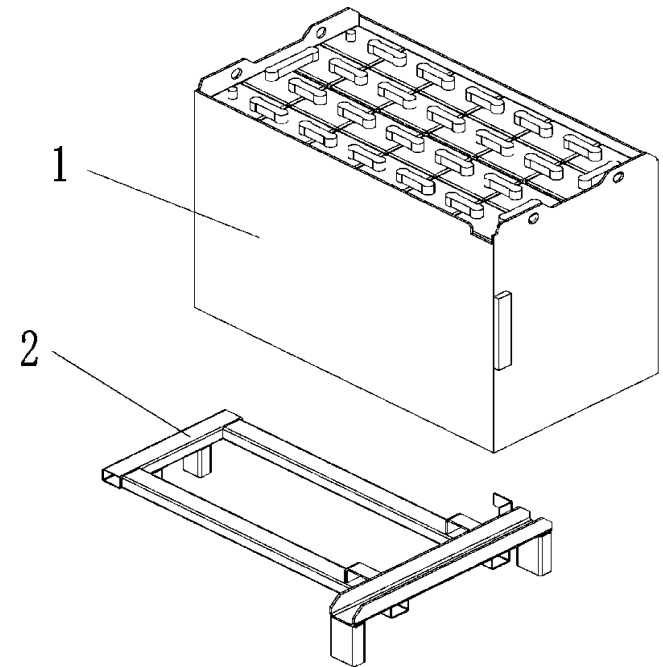
序号/NO	编码/SN	Name	名称	数量/QTY	备注/Remarks
A	255013010010	Drive wheel assembly 23x9-10-18PR(gas)	驱动轮总成23x9-10-18PR(充气)	2	选装/Optional
	255013010011	Drive wheel assembly 23x9-10 (solid)	驱动轮总成23x9-10 (实心)	2	选装/Optional
	255013010012	Drive wheel assembly 23x9-10(environmental)	驱动轮总成23x9-10 (环保)	2	选装/Optional
1	255013010002	Pneumatic tyre 23x9-10-18PR	充气轮胎23x9-10-18PR	2	选装/Optional
	255013010003	Solid tyre 23x9-10	实心轮胎23x9-10	2	选装/Optional
	255013010007	Environmental protection tyre 23x9-10	环保轮胎23x9-10	2	选装/Optional
2	255013010001	Rim assembly 6.50F	轮辋总成6.50F	2	





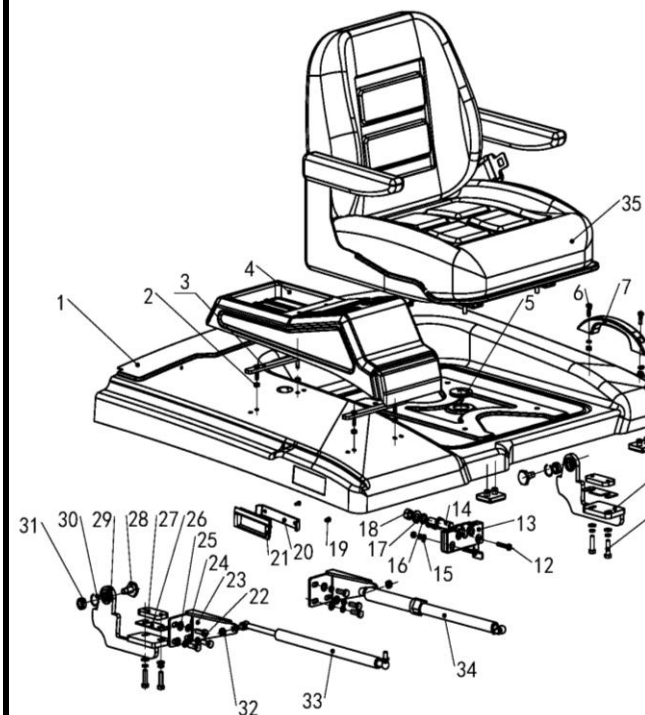
252198501012 蓄电池及托架/Battery and bracket

序号/NO	编码/SN	Name	名称	数量/QTY	备注/Remarks
1	255037010002	Battery (48V600Ah) (weld)	电池(48V600Ah)(焊)	1	焊接式/weld
	255037010004	Battery (48V630Ah) (weld)	电池(48V630Ah)(焊)	1	焊接式/weld
	255037010006	Battery (48V700Ah) (weld)	电池(48V700Ah)(焊)	1	焊接式/weld
	255037010014	Battery (48V770Ah) (weld)	电池(48V770Ah)(焊)	1	焊接式/weld
	255037010003	Battery (48V600Ah) (bolt)	电池(48V600Ah)(螺)	1	螺栓式/bolt
	255037010005	Battery (48V630Ah) (bolt)	电池(48V630Ah)(螺)	1	螺栓式/bolt
	255037010007	Battery (48V700Ah) (bolt)	电池(48V700Ah)(螺)	1	螺栓式/bolt
	255037010015	Battery (48V770Ah) (bolt)	电池(48V770Ah)(螺)	1	螺栓式/bolt
2	255012510001	Battery bracket welding	电池托架焊合	1	侧出专用





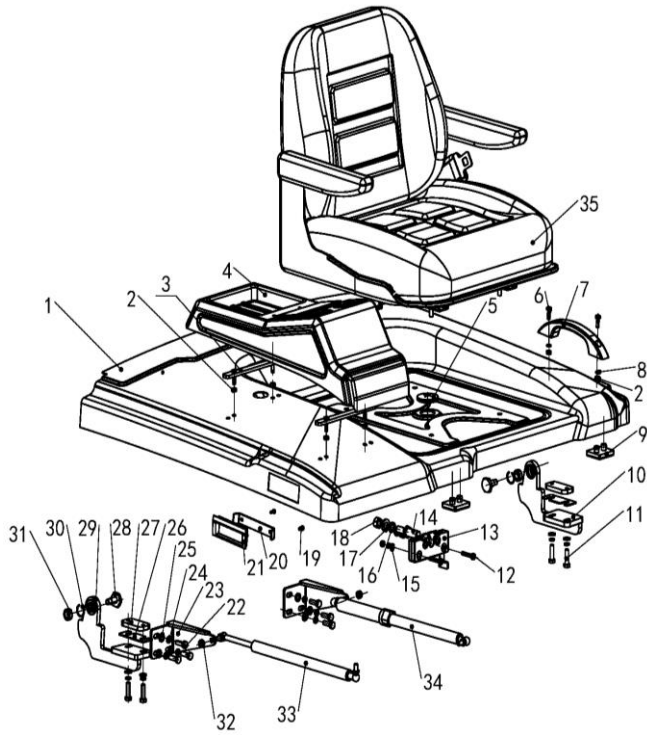
### 252198501014 电瓶箱盖/Battery box cover



序号/NO	编码/SN	Name	名称	数量/QTY	备注/Remarks
1	255021010002	Batthey box cover welding	电瓶箱盖焊合	1	
2	910300100005	Nut GB6170-M6-10	螺母GB6170-M6-10	8	
3	255021010016	Pressing plate weiding	压板焊合	2	
4	255021020003	Trim	装饰盖	1	
5	255021020046	Guard cicle φ35	保护圈φ35	1	
6	910200500053	ScrewGB818-M6x20-4.8	螺钉GB818-M6x20-4.8	2	
7	255021020020	Handle	拉手	1	
8	910400500005	WasherGB93-6	弹簧垫圈GB93-6	4	
9	255021020068	Damping pad	缓冲垫	2	
10	255021010005	Hinge welding (left)	铰链焊合(左)	1	
11	910100300024	Bolt GB5783-M8x30-8.8	螺栓GB5783-M8x30-8.8	4	
12	910200500056	Screw GB818-M6x35-4.8	螺钉GB818-M6x35-4.8	2	
13	255021010010	Head cover lock	顶盖锁	1	
14	255021020052	Lock tongue 2	锁舌2	1	
15	910400100005	Washer GB97.1-6-200HV	平垫圈GB97.1-6-200HV	2	
16	910400500008	WasherGB93-12	弹簧垫圈GB93-12	1	
17	910400100008	WasherGB97.1-12-200HV	平垫圈GB97.1-12-200HV	1	
18	910300100008	Nut GB6170-M12-10	螺母GB6170-M12-10	1	
19	910200500021	Screw GB818-M4x10-4.8	螺钉GB818-M4x10-4.8	2	
20	255021020055	Fixing plate	固定板	1	
21	255021020021	Handle(inside)	拉手(内)	1	
22	910100300023	Bolt GB5783-M8x25-8.8	螺栓GB5783-M8x25-8.8	6	
23	255021020047	Holder	支架	2	
24	910400500006	Washer GB93-8	弹簧垫圈GB93-8	10	
25	910400100006	Washer GB97.1-8-200HV	平垫圈GB97.1-8-200HV	10	
26	255021020054	Adjusting pad	调整垫	2	
27	255021020045	Bed plate	座板	2	
28	255021020043	Bolt	固定螺栓	2	
29	255021010006	Hinge welding (right)	铰链焊合(右)	1	
30	910401500001	Circlip GB895.1-22	孔用钢丝挡圈GB895.1-22	2	
31	255021010014	BearingGE12E	关节轴承GE12E	2	

252198501014 电瓶箱盖/Battery box cover

序号/NO	编码/SN	Name	名称	数量/QTY	备注/Remarks
32	910300100006	NutGB6170-M8-10	螺母GB6170-M8-10	2	
33	940400100030	Air spring 200N(D620)	气弹簧200N(D620)	1	
34	940400100031	Air spring500N(D620)-lock oneself	气弹簧500N(D620)-自锁	1	
35	255037510001	Seats (standard)	座椅(标配)	1	STD.
	255037510003	Seats (comfort)	座椅(舒适型)	1	选装/Optional
	255037510004	Seat (damping type)	座椅(减振型)	1	选装/Optional

















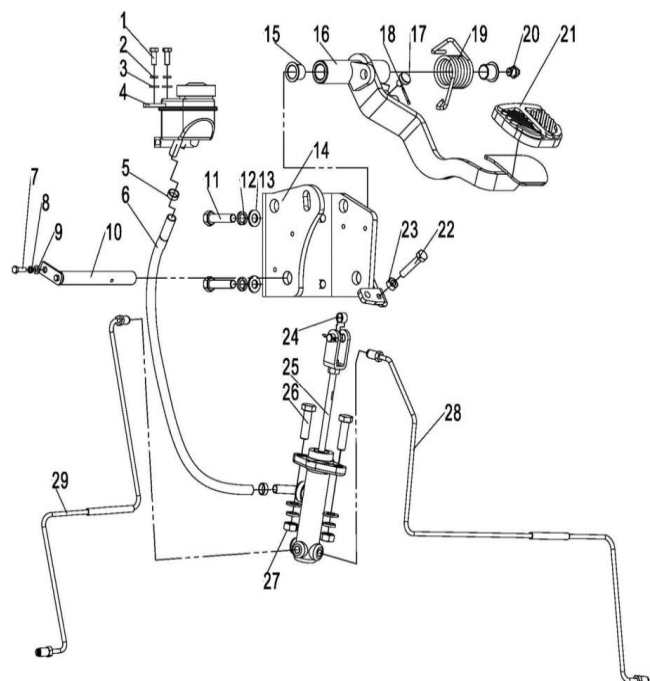






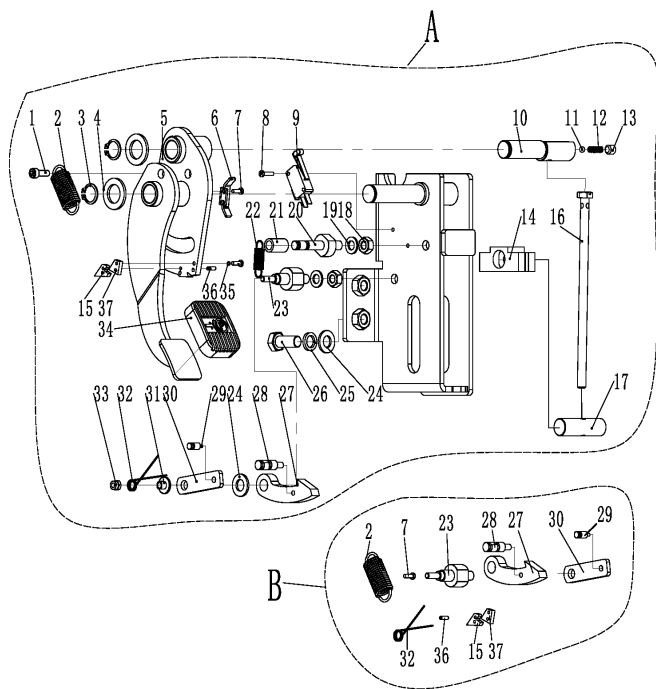


252198501024 脚制动操纵/Foot brake



序号/NO	编码/SN	Name	名称	数量/QTY	备注/Remarks
1	910100300010	Bolt GB5783-M6x16-8.8	螺栓GB5783-M6x16-8.8	2	
2	910400500005	Washer GB93-6	弹簧垫圈GB93-6	2	
3	910400100005	Washer GB97.1-6-200HV	平垫圈GB97.1-6-200HV	2	
4	255011510006	Grease nipple	油杯	1	
5	911000600001	Hose clamp QC/T390-(11-14)	喉箍QC/T390-(11-14)	2	
6	255011520021	Connecting pipe	连接管	1	
7	910100300003	Bolt GB5783-M5x12-8.8	螺栓GB5783-M5x12-8.8	1	
8	910400500004	Washer GB93-5	弹簧垫圈GB93-5	1	
9	910400100004	Washer GB97.1-5-200HV	平垫圈GB97.1-5-200HV	1	
10	255011510003	Axle Φ16x135	带耳轴Φ16x135	1	
11	910100300039	Bolt GB5783-M10x40-8.8	螺栓GB5783-M10x40-8.8	4	
12	910400500007	Washer GB93-10	弹簧垫圈GB93-10	6	
13	910400100007	Washer GB97.1-10-200HV	平垫圈GB97.1-10-200HV	6	
14	255011510004	Foot brake holder welding	脚制动支架焊合	1	
15	940500100006	Bushing Φ16xΦ18x15-SF-1	复合套Φ16xΦ18x15-SF-1	2	
16	255011510002	Pedal weiding	踏板焊合	1	
17	255011520010	Damping pad	缓冲垫	1	
18	910600600015	Split pin GB91-2x20	开口销GB91-2x20	1	
19	255011520008	Spring	扭簧	1	
20	911200100004	Grease nipple JB7940.1-M10x1	油杯JB7940.1-M10x1	1	
21	255011520013	Pedal (rubber)	踏板(橡胶)	1	
22	910100100023	Bolt GB5782-M8x45-8.8	螺栓GB5782-M8x45-8.8	1	
23	910300100006	Nut GB6170-M8-10	螺母GB6170-M8-10	1	
24	940500100048	Bushing Φ10xΦ12x8-SF-1	复合套Φ10xΦ12x8-SF-1	1	
25	255011510001	Brake pump assembly	制动泵总成	1	
26	910100300038	Bolt GB5783-M10x35-8.8	螺栓GB5783-M10x35-8.8	2	
27	910300100007	NutGB6170-M10-10	螺母GB6170-M10-10	2	
28	255011510009	Hydraulic steel pipe welding 2	液压钢管焊合2	1	
29	255011510010	Hydraulic steel pipe welding 1	液压钢管焊合1	1	

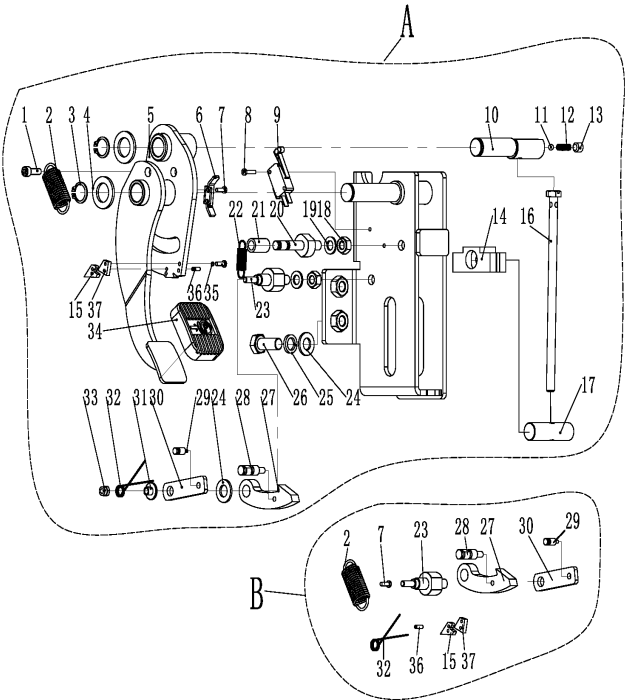
### 252198501025 停车制动操纵/Parking brake



序号/NO	编码/SN	Name	名称	数量/QTY	备注/Remarks
A	255012010001	Parking brake assembly	驻车制动总成	1	
1	▲	Screw GB70.1-M5x16-8.8	螺钉GB70.1-M5x16-8.8	1	不单独提供
2	▲	Spring 2	拉簧2	1	不单独提供
3	▲	Circlip GB894.1-16	轴用弹性挡圈GB894.1-16	2	不单独提供
4	▲	Washer GB97.1-16-200HV	平垫圈GB97.1-16-200HV	2	不单独提供
5	▲	Pedal welding	踏板焊接	1	不单独提供
6	▲	Baffle	挡板	1	不单独提供
7	▲	Screw GB818-M3x8-4.8	螺钉GB818-M3x8-4.8	5	不单独提供
8	▲	Screw GB818-M3x20-4.8	螺钉GB818-M3x20-4.8	2	不单独提供
9	920200300009	Micro switch RV-166-1C25	微动开关	1	
10	▲	Shaft	挡轴	1	不单独提供
11	▲	Steel ball GB308-5.5	钢球GB308-5.5	1	不单独提供
12	▲	Spring	压簧	1	不单独提供
13	▲	Screw GB77-M8x8-45H	螺钉GB77-M8x8-45H	1	不单独提供
14	▲	Assembly seat	安装座	1	不单独提供
15	▲	Board 3	板3	1	不单独提供
16	▲	M8x170 Bolt	M8x170螺栓	1	不单独提供
17	▲	Axle	挡轴	1	不单独提供
18	▲	Nut GB6170-M8-10	螺母GB6170-M8-10	2	不单独提供
19	▲	Washer GB97.1-8-200HV	平垫圈GB97.1-8-200HV	2	不单独提供
20	▲	Axle 3	轴3	1	不单独提供
21	▲	Polyurethane tube	聚氨酯管	1	不单独提供
22	▲	Spring 1	拉簧1	1	不单独提供
23	▲	Axle 4	轴4	1	不单独提供
24	▲	Washer GB97.1-10-200HV	平垫圈GB97.1-10-200HV	4	不单独提供
25	▲	Washer GB93-10	弹簧垫圈GB93-10	3	不单独提供
26	▲	Bolt GB5783-M10x25-8.8	螺栓GB5783-M10x25-8.8	3	不单独提供
27	▲	Board 2	板2	1	不单独提供
28	▲	Axle 1	轴1	1	不单独提供
29	▲	Axle 2	轴2	1	不单独提供
30	▲	Board 1	板1	1	不单独提供

## 252198501025 停车制动操纵/Parking brake

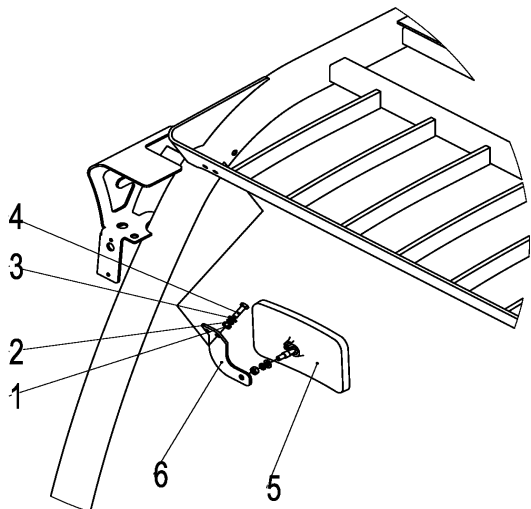
序号/NO	编码/SN	Name	名称	数量/QTY	备注/Remarks
31	▲	Spring seat	扭簧座	1	不单独提供
32	▲	Spring	扭簧	1	不单独提供
33	▲	Nut GB889.1-M5-10	螺母GB889.1-M5-10	1	不单独提供
34	▲	Pedal pad	踏板垫	1	不单独提供
35	▲	Washer GB93-3	弹簧垫圈GB93-3	3	不单独提供
36	▲	Dowel pin GB879.1-2.5x10	弹性圆柱销GB879.1-2.5x10	1	不单独提供
37	▲	Board 2	板2	1	不单独提供
B	255098512010	Parking brake repair kit	驻车制动器修理包	1	



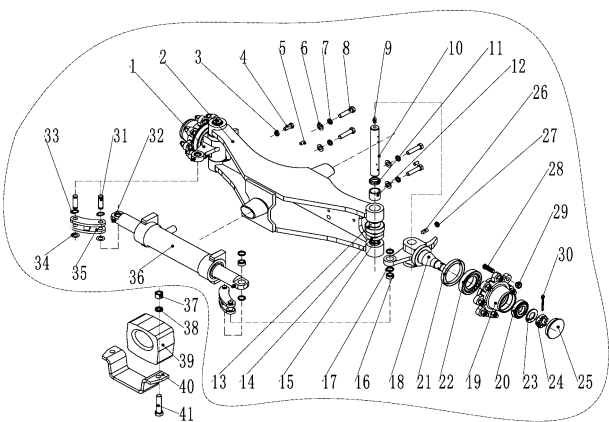


**252198501027 后视镜安装/Rearview mirror installation**

序号/NO	编码/SN	Name	名称	数量/QTY	备注/Remarks
1	910300100006	Nut GB6170-M8-10	螺母GB6170-M8-10	4	
2	910400500006	Washer GB93-8	弹簧垫圈GB93-8	4	
3	910400100006	Washer GB97.1-8-200HV	平垫圈GB97.1-8-200HV	4	
4	910100300022	Bolt GB5783-M8x20-8.8	螺栓GB5783-M8x20-8.8	4	
5	940800100001	Rearview mirror	后视镜	2	
6	255049520003	Holder	支架	1	



## 252198501028 转向桥及安装(DW)/Steering axle and installation(DW)



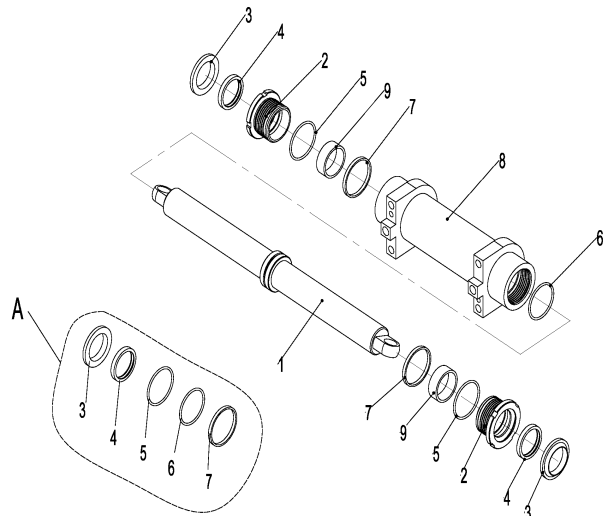
序号/NO	编码/SN	Name	名称	数量/QTY	备注/Remarks
A	255016010001	2.5T steering axle	2.5T转向桥	1	
1	255098526004	Left knuckle assembly	左转向节总成	1	
2	255098526001	Steering bridge assembly	转向桥体总成	1	
3	910300100008	Nut GB6170-M12-10	螺母GB6170-M12-10	2	
4	910100300052	Bolt GB5783-M12x40-8.8	螺栓GB5783-M12x40-8.8	2	
5	255098526008	Dowel pin10x20	销A 10x20	2	
6	255098526042	Adjusting washer	调整垫	2	
7	910400500009	Washer GB93-14	弹簧垫圈GB93-14	4	
8	255098526021	Bolt M14x40	螺栓M14x40	4	
9	255098526025	Grease nipple	弯颈式油嘴	6	
10	255098526007	Pin	转向节主销	2	
11	255098516023	Oil seal	铁壳油封	4	
12	255098526006	Bearing32X40X32	滚针轴承32X40X32	4	
13	255098526005	Bearing	单向轴承32TAG-12	2	
14	255098526010	Pad	转向节调整垫	8	
15	255098526022	O ring	O型圈	2	
16	255098526027	ES Bearing	ES型向心关节轴承GE16ES	4	
17	255098526018	Bushing	衬套	8	
18	255098526020	Right knuckle assembly 1	右转向节总成	1	
19	255098526016	Steering wheel hub	轮毂	2	
20	255098526012	Bearing 30207	轴承30207	2	
21	255098526009	Seal ring	油封75X100X10	2	
22	255098526011	Bearing 32209	轴承32209	2	
23	910400100016	Washer GB97.1-30-200HV	平垫圈GB97.1-30-200HV	2	
24	255098526013	Nut M30x2	螺母M30x2	2	
25	255098526015	Wheel hub cover	轮毂盖	2	
26	255098526043	Screw M12X30	紧定螺钉M12X30	2	
27	910300100008	Nut GB6170-M12-10	螺母GB6170-M12-10	2	
28	255098526040	Rim Bolt	轮毂螺栓	16	
29	255098526041	Rim Nut	轮毂螺母	16	
30	255098526014	Pin	销6.3x55	2	



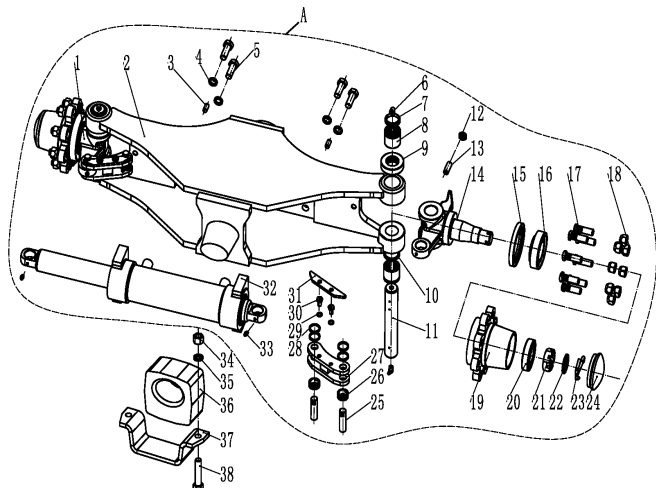


252198501029 转向油缸 (DW)/Steering cylinder (DW)

序号/NO	编码/SN	Name	名称	数量/QTY	备注/Remarks
A	255098510007	Sealing part maintenance package (steering cy	密封件修理包(转向缸-DW)	1	
1	▲	Piston rod assembly	活塞杆总成	1	
2	▲	Cylinder cover	缸盖	2	
3	▲	Dust ring DH50	防尘圈DH50	2	
4	▲	U ringUN50	U形圈UN50	2	
5	▲	O ring63×3.55	O形圈63×3.55	2	
6	▲	O ring60×3.55	O形圈60×3.55	1	
7	▲	Support ring	支承环	1	
8	▲	Cylinder assembly	缸筒总成	1	
9	▲	Bearing	钢背轴承	2	



### 252198501030 转向桥及安装(KD)/Steering axle and installation(KD)

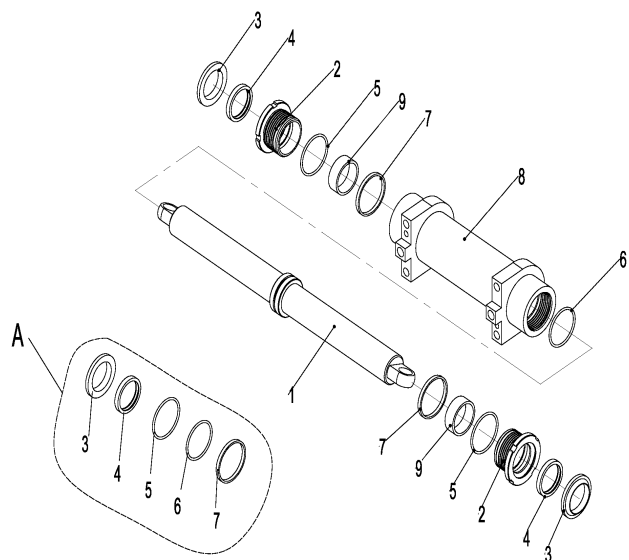


序号/NO	编码/SN	Name	名称	数量/QTY	备注/Remarks
A	255016010004	Steering axle	转向桥总成	1	
1	255098526050	Left knuckle	左转向节	1	
2	255098526051	Steering bridge	转向桥体	1	
3	255098526052	Dowel pin10x20	圆柱销A10x20	2	
4	255098526053	Washer GB93-14	垫圈14	4	
5	255098526054	Bolt GB5783-M12x40-8.8	螺栓 M12x45	2	
6	255098526055	Grease nipple	90°压注油杯	4	
7	255098526056	Oil seal 32X40X6/8	防尘圈32X40X6/8	4	
8	255098526057	Bearing 943/32	滚针轴承943/32	4	
9	255098526058	Bearing	推力轴承19806	2	
10	255098526059	O ring	O型圈d32x4.8	2	
11	255098526060	Pin	主销	2	
12	255098526061	Nut GB6170-M12-10	螺母M12	2	
13	255098526062	Screw M12X30	紧定螺钉M12X30	2	
14	255098526063	Right knuckle assembly	右转向节总成	1	
15	255098526064	Seal ring	油封75X100X10	2	
16	255098526065	Bearing 32209	圆锥滚子轴承32209	2	
17	255098526066	Rim Bolt	轮毂螺栓	16	
18	255098526067	Rim Nut	轮毂螺母	16	
19	255098526068	Steering wheel hub	轮毂	2	
20	255098526069	Bearing 30207	圆锥滚子轴承30207	2	
21	255098526070	Nut M30x2	槽螺母M30x2	2	
22	255098526071	Washer GB97.1-30-200HV	垫圈30	2	
23	255098526073	Pin	开口销6.3x55	2	
24	255098526074	Wheel hub cover	轮毂盖	2	
25	255098526075	Linking pin	连杆销	4	
26	255098526076	Bearing GE16ES	向心关节轴承GE16ES	4	
27	255098526077	Linking rod	连杆	2	
28	255098526078	Bushing	衬套	8	
29	255098526079	Spring washer 8	弹垫8	4	
30	255098526080	Bolt M8X18	螺栓M8X18	4	



### 252198501031 转向油缸(KD)/Steering cylinder

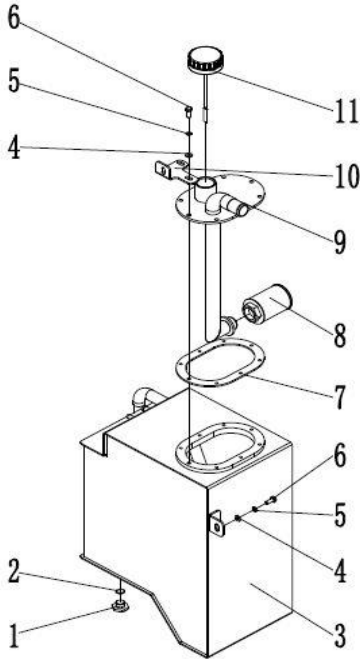
序号/NO	编码/SN	Name	名称	数量/QTY	备注/Remarks
A	255098511007	Sealing part maintenance package (steering cy	密封件修理包(转向缸-KD)	1	
1	▲	Piston rod assembly	活塞杆总成	1	不单独提供
2	▲	Cylinder cover	缸盖	2	不单独提供
3	▲	Dust ring DH50	防尘圈DH50	2	不单独提供
4	▲	U ringUN50	U形圈UN50	2	不单独提供
5	▲	O ring63×3.55	O形圈63×3.55	2	不单独提供
6	▲	O ring60×3.55	O形圈60×3.55	1	不单独提供
7	▲	Support ring	支承环	1	不单独提供
8	▲	Cylinder assembly	缸筒总成	1	不单独提供
9	▲	Bearing	钢背轴承	2	不单独提供



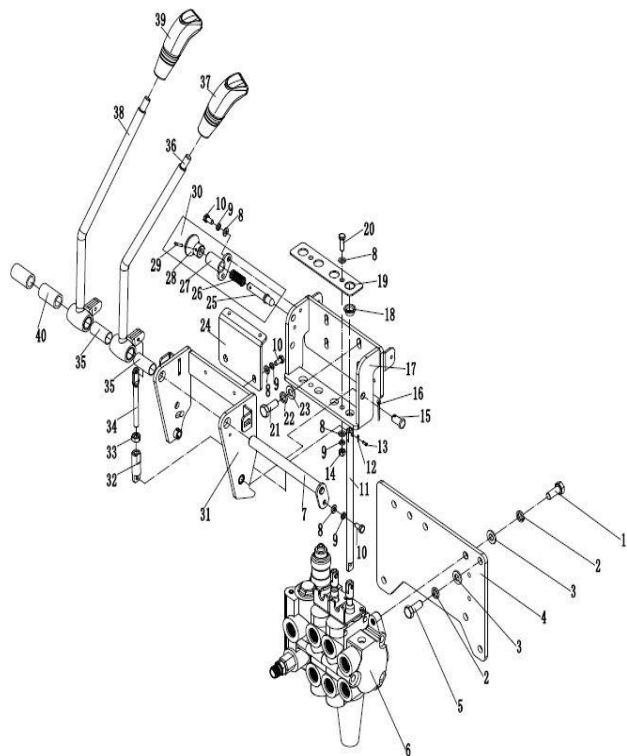


252198501033 工作油箱装置及安装/Working cylinder mechanism and installation

序号/NO	编码/SN	Name	名称	数量/QTY	备注/Remarks
1	255019020015	Drain plug M20x1.5	放油塞M20x1.5	1	
2	910800900001	Washer JB982-20	组合垫圈JB982-20	1	
3	255019010001	Cylinder welding	油箱焊合	1	
4	910400100006	Washer GB97.1-8-200HV	平垫圈GB97.1-8-200HV	10	
5	910400500006	Washer GB93-8	弹簧垫圈GB93-8	10	
6	910100300022	Bolt GB5783-M8x20-8.8	螺栓GB5783-M8x20-8.8	10	
7	255019020013	Sealing gasket	密封垫	1	
8	255019010004	Screen filter	网式过滤器	1	
9	255019010002	Cover plate welding	盖板焊合	1	
10	255019020012	Fixing plate 2	固定板2	1	
11	255019010003	Oil dipstick assembly	油尺塞总成	1	



252198501034 多路换向阀操纵(二联)/ Multiple directional control valve (bigeminy)

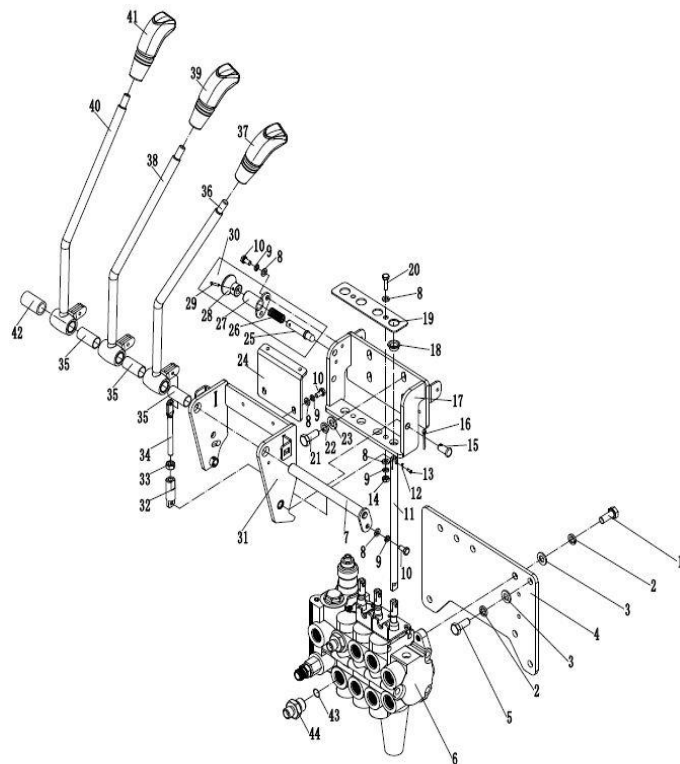


序号/NO	编码/SN	Name	名称	数量/QTY	备注/Remarks
1	910100400003	Bolt GB5786-M10x1.25x25-8.8	螺栓GB5786-M10x1.25x25-8.8	3	
2	910400500007	Washer GB93-10	弹簧垫圈GB93-10	6	
3	910400100007	Washer GB97.1-10-200HV	平垫圈GB97.1-10-200HV	6	
4	255024520024	Supporting plate	支架板	1	
5	910100300036	Bolt GB5783-M10x25-8.8	螺栓GB5783-M10x25-8.8	3	
6	255024510007	Multi way valve (four combined)	多路阀(二联)	1	
7	255024510009	Axle $\phi 16 \times 168$	带耳轴 $\phi 16 \times 168$	1	
8	910400100005	Washer GB97.1-6-200HV	平垫圈GB97.1-6-200HV	9	
9	910400500005	Washer GB93-6	弹簧垫圈GB93-6	7	
10	910100300009	Bolt GB5783-M6x12-8.8	螺栓GB5783-M6x12-8.8	5	
11	255024520018	Transition rod	过渡杆	3	
12	910600600026	Split pin GB91-3.2x20	开口销GB91-3.2x20	6	
13	910600700032	Short axle GB882-10x20c1B	销轴GB882-10x20c1B	6	
14	910300100005	Nut GB6170-M6-10	螺母GB6170-M6-10	2	
15	910600600026	Split pin GB91-3.2x20	开口销GB91-3.2x20	2	
16	910600700032	Short axle GB882-10x20c1B	销轴GB882-10x20c1B	2	
17	255024510002	Fixed seat	固定座	1	
18	940500200022	Bushing $\phi 12 \times \phi 14 \times 20$ -SF-1	复合套(带肩) $\phi 12 \times \phi 14 \times 20$ -SF-1	2	
19	255024520016	Pressing plate	压板	1	
20	910100300011	Bolt GB5783-M6x20-8.8	螺栓GB5783-M6x20-8.8	2	
21	910100300023	Bolt GB5783-M8x25-8.8	螺栓GB5783-M8x25-8.8	4	
22	910400500006	Washer GB93-8	弹簧垫圈GB93-8	4	
23	910400100006	Washer GB97.1-8-200HV	平垫圈GB97.1-8-200HV	4	
24	255024520001	Fixing plate	固定板	1	
25	▲	Axle $\phi 10 \times 60$	手柄轴 $\phi 10 \times 60$	1	不单独提供
26	▲	Spring	压簧	1	不单独提供
27	▲	Axle $\phi 18 \times 27.5$	带耳轴 $\phi 18 \times 27.5$	1	不单独提供
28	▲	Handle	手柄	1	不单独提供
29	▲	Dowel pin GB879.1-3x16	弹性圆柱销GB879.1-3x16	1	不单独提供
30	255024510006	Handle assembly	解锁手柄总成	1	包含/Inc.25-29
31	255024510001	Holder welding	支架焊合	1	





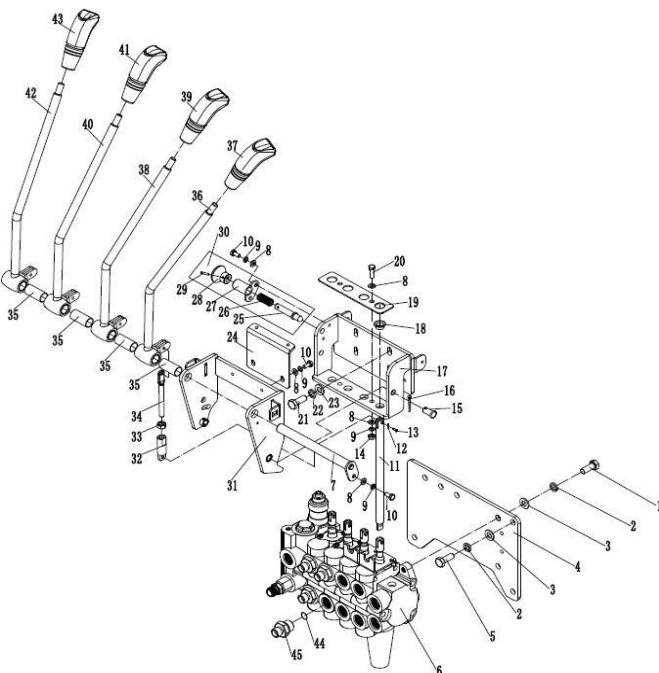
252198501035 多路换向阀操纵(三联)/Multiple directional control valve (trigeminy)



序号/NO	编码/SN	Name	名称	数量/QTY	备注/Remarks
1	910100400003	Bolt GB5786-M10x1.25x25-8.8	螺栓GB5786-M10x1.25x25-8.8	3	
2	910400500007	Washer GB93-10	弹簧垫圈GB93-10	6	
3	910400100007	Washer GB97.1-10-200HV	平垫圈GB97.1-10-200HV	6	
4	255024520024	Supporting plate	支架板	1	
5	910100300036	Bolt GB5783-M10x25-8.8	螺栓GB5783-M10x25-8.8	3	
6	255025010002	Multi way valve (four combined)	多路阀(三联)	1	
7	255024510009	Axle $\phi 16 \times 168$	带耳轴 $\phi 16 \times 168$	1	
8	910400100005	Washer GB97.1-6-200HV	平垫圈GB97.1-6-200HV	9	
9	910400500005	Washer GB93-6	弹簧垫圈GB93-6	7	
10	910100300009	Bolt GB5783-M6x12-8.8	螺栓GB5783-M6x12-8.8	5	
11	255024520018	Transition rod	过渡杆	3	
12	910600600026	Split pin GB91-3.2x20	开口销GB91-3.2x20	9	
13	910600700032	Short axle GB882-10x20c1B	销轴GB882-10x20c1B	9	
14	910300100005	Nut GB6170-M6-10	螺母GB6170-M6-10	2	
15	910600600026	Split pin GB91-3.2x20	开口销GB91-3.2x20	2	
16	910600700032	Short axleGB882-10x20c1B	销轴GB882-10x20c1B	2	
17	255024510002	Fixing seat	固定座	1	
18	940500200022	Bushing $\phi 12 \times \phi 14 \times 20$ -SF-1	复合套(带肩) $\phi 12 \times \phi 14 \times 20$ -SF-1	3	
19	255024520016	Pressing plate	压板	1	
20	910100300011	Bolt GB5783-M6x20-8.8	螺栓GB5783-M6x20-8.8	2	
21	910100300023	Bolt GB5783-M8x25-8.8	螺栓GB5783-M8x25-8.8	4	
22	910400500006	Washer GB93-8	弹簧垫圈GB93-8	4	
23	910400100006	Washer GB97.1-8-200HV	平垫圈GB97.1-8-200HV	4	
24	255024520001	Fixing plate	固定板	1	
25	▲	Axle $\phi 10 \times 60$	手柄轴 $\phi 10 \times 60$	1	不单独提供
26	▲	Spring	压簧	1	不单独提供
27	▲	Axle $\phi 18 \times 27.5$	带耳轴 $\phi 18 \times 27.5$	1	不单独提供
28	▲	Handle	手柄	1	不单独提供
29	▲	Dowel pin GB879.1-3x16	弹性圆柱销GB879.1-3x16	1	不单独提供
30	255024510006	Handle assembly	解锁手柄总成	1	包含/Inc.25-29
31	255024510001	Holder welding	支架焊合	1	



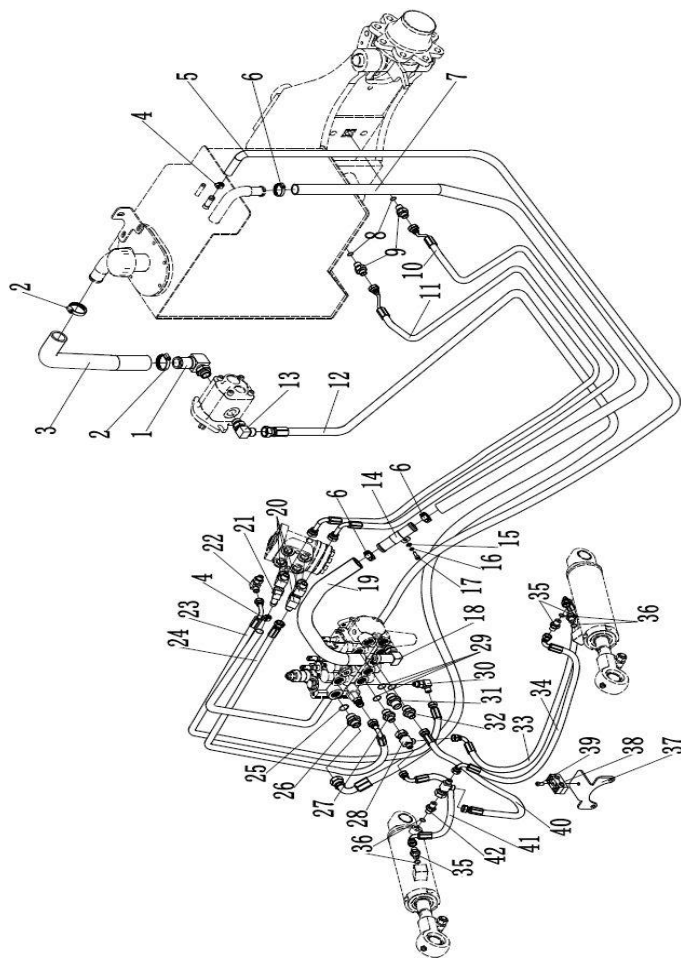
252198501036 多路换向阀操纵(四联)/Multiple directional control valve(four joint)



序号/NO	编码/SN	Name	名称	数量/QTY	备注/Remarks
1	910100400003	Bolt GB5786-M10x1.25x25-8.8	螺栓GB5786-M10x1.25x25-8.8	3	
2	910400500007	Washer GB93-10	弹簧垫圈GB93-10	6	
3	910400100007	Washer GB97.1-10-200HV	平垫圈GB97.1-10-200HV	6	
4	255024520024	Supporting plate	支架板	1	
5	910100300036	Bolt GB5783-M10x25-8.8	螺栓GB5783-M10x25-8.8	3	
6	255025510002	Multi way valve (four combined)	多路阀(四联)	1	
7	255024510009	Axle $\phi 16 \times 168$	带耳轴 $\phi 16 \times 168$	1	
8	910400100005	Washer GB97.1-6-200HV	平垫圈GB97.1-6-200HV	9	
9	910400500005	Washer GB93-6	弹簧垫圈GB93-6	7	
10	910100300009	Bolt GB5783-M6x12-8.8	螺栓GB5783-M6x12-8.8	5	
11	255024520018	Transition rod	过渡杆	4	
12	910600600026	split pin GB91-3.2x20	开口销GB91-3.2x20	12	
13	910600700032	Short axle GB882-10x20c1B	销轴GB882-10x20c1B	12	
14	910300100005	Nut GB6170-M6-10	螺母GB6170-M6-10	2	
15	910600600026	split pin GB91-3.2x20	开口销GB91-3.2x20	2	
16	910600700032	Short axle GB882-10x20c1B	销轴GB882-10x20c1B	2	
17	255024510002	Fixing seat	固定座	1	
18	940500200022	Bushing $\phi 12 \times \phi 14 \times 20$ -SF-1	复合套(带肩) $\phi 12 \times \phi 14 \times 20$ -SF-1	4	
19	255024520016	Pressing plate	压板	1	
20	910100300011	Bolt GB5783-M6x20-8.8	螺栓GB5783-M6x20-8.8	2	
21	910100300023	Bolt GB5783-M8x25-8.8	螺栓GB5783-M8x25-8.8	4	
22	910400500006	Washer GB93-8	弹簧垫圈GB93-8	4	
23	910400100006	Washer GB97.1-8-200HV	平垫圈GB97.1-8-200HV	4	
24	255024520001	Fixing plate	固定板	1	
25	▲	Axle $\phi 10 \times 60$	手柄轴 $\phi 10 \times 60$	1	不单独提供
26	▲	Spring	压簧	1	不单独提供
27	▲	Axle $\phi 18 \times 27.5$	带耳轴 $\phi 18 \times 27.5$	1	不单独提供
28	▲	Handle	手柄	1	不单独提供
29	▲	Dowel pin GB879.1-3x16	弹性圆柱销GB879.1-3x16	1	不单独提供
30	255024510006	Handle assembly	解锁手柄总成	1	包含/Inc.25-29
31	255024510001	Holder welding	支架焊合	1	



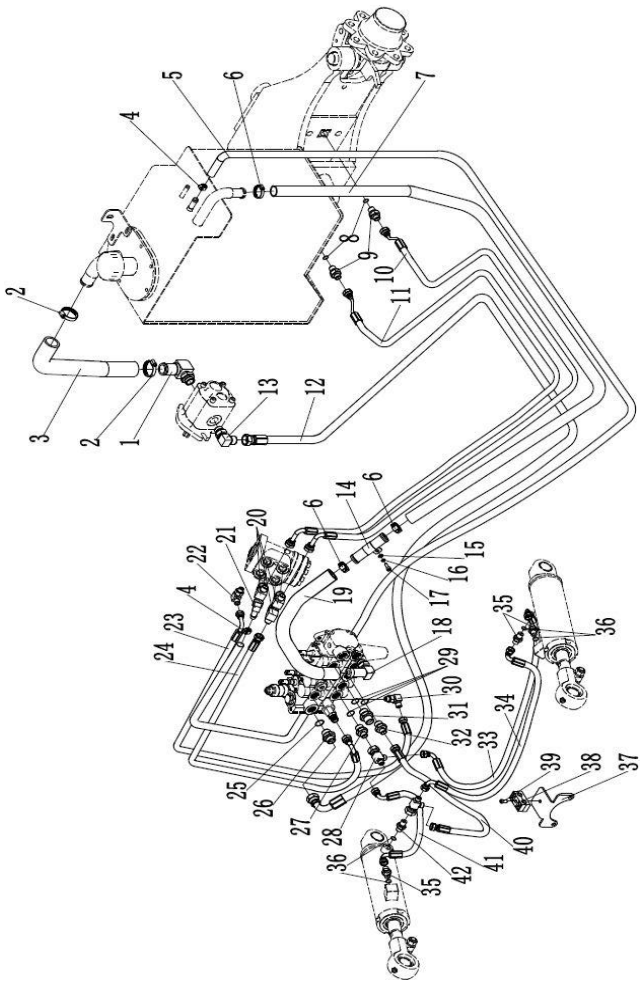
### 252198501037 液压系统/Hydraulic system



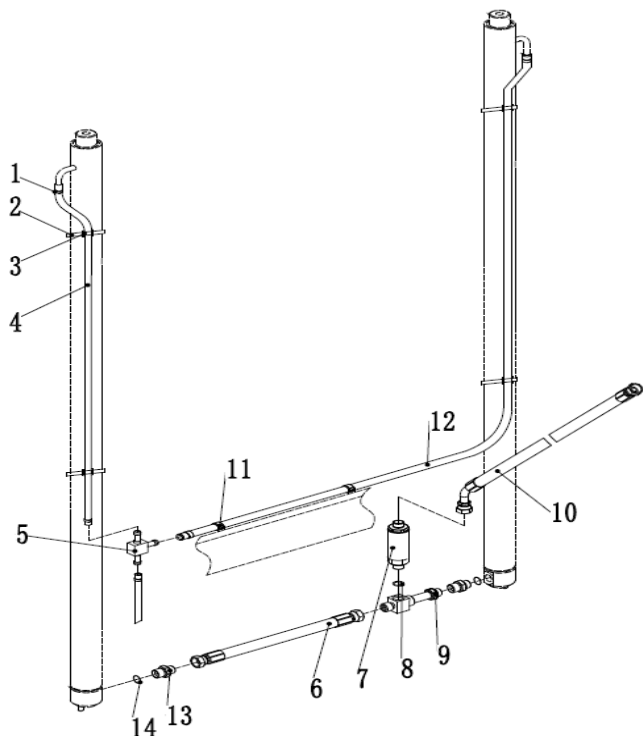
序号/NO	编码/SN	Name	名称	数量/QTY	备注/Remarks
1	255023510005	Joint 25-G1-φ32	接头(转向弯)25-G1-φ32	1	
2	911000600006	Hose clamp QC/T390-(40-45)	喉箍QC/T390-(40-45)	2	
3	255023520008	Rubber hose	胶管(吸油)	1	
4	911000600003	Hose clamp QC/T390-(22-26)	喉箍QC/T390-(22-26)	2	
5	255023520006	Oil return hose φ23xφ13x3600	回油管φ23xφ13x3600	1	
6	911000600004	Hose clamp QC/T390-(34-38)	喉箍QC/T390-(34-38)	4	
7	255023520013	Oil return hose φ35xφ25x1900	回油管φ35xφ25x1900	1	
8	910800100002	Oring 13.2x2.65	O形圈-内13.2x2.65	2	
9	255023520034	Joint 8-2xM16x1.5-60°	接头(直)8-2xM16x1.5-60°	2	
10	255023520002	Hydraulic hose assembly 8-L2700-1SC-60°	液压管总成(异)8-L2700-1SC-60°	1	
11	255023520001	Hydraulic hose assembly 8-L3000-1SC-60°	液压管总成(异)8-L3000-1SC-60°	1	
12	255023520004	Hydraulic hose assembly (90°)13-L2750-2SC-60°	液压管总成(90°)13-L2750-2SC-60°	1	
13	255023520035	Joint 12-G1/2-M22x1.5-60°	接头(锁定弯)12-G1/2-M22x1.5-60°	1	
14	255023520022	Transition steel pipe	过渡钢管	1	
15	910400100005	Washer GB97.1-6-200HV	平垫圈GB97.1-6-200HV	2	
16	910400500005	Washer GB93-6	弹簧垫圈GB93-6	2	
17	910200200036	Screw GB70.1-M6x20-8.8	螺钉GB70.1-M6x20-8.8	2	
18	255023510002	Joint 16-M22x1.5-φ25	接头(转向弯)16-M22x1.5-φ25	1	
19	255023520021	Rubber tube	胶管(回油)	1	
20	255023510007	Joint 8-M18x1.5-M16x1.5-60°	接头(锁定弯)10-M20x1.5-M16x1.5-60°	3	
21	255023520033	Joint 11-M18x1.5-0	接头(锁定弯)11-M20x1.5-0	1	
22	255023510003	Joint 6-G1/4-M14x1.5-60°	接头(锁定弯)6-G1/4-M14x1.5-60°	1	
23	255023520003	Hydraulic hose assembly (90°)6-L1420-1SC-60°	液压管总成(90°)6-L1420-1SC-60°	1	
24	255023520005	Hydraulic hose assembly (90°)8-L1420-1SC-60°	液压管总成(90°)8-L1420-1SC-60°	1	
25	910800100015	Oring 19x2.65	O形圈-内19x2.65	1	
26	255023520030	Joint 12-2xM22x1.5-60°	接头(直)12-2xM22x1.5-60°	1	
27	255023520033	Joint 8-M20x1.5-M16x1.5-60°	接头(直)8-M20x1.5-M16x1.5-60°	1	
28	250523510001	Joint 7-2xM14x1.5-M16x1.5-60°	接头(三通)7-2xM14x1.5-M16x1.5-60°	2	
29	910800100003	Oring 17x2.65	O形圈-内17x2.65	3	
30	255023510001	Joint 6-M12x1.5-M14x1.5-60°	接头(锁定弯)6-M12x1.5-M14x1.5-60°	1	
31	255044020122	Joint 12-M20x1.5-M22x1.5-60°	接头(直)12-M20x1.5-M22x1.5-60°	1	

### 252198501037 液压系统/Hydraulic system

序号/NO	编码/SN	Name	名称	数量/QTY	备注/Remarks
32	255023520032	Joint 6-M20x1.5-M14x1.5-60°	接头(直)6-M20x1.5-M14x1.5-60°	1	
33	255023520017	Hydraulic hose assembly 6-L1000-1SC-60°	液压管总成U型6-L1000-1SC-60°	1	
34	255023520018	Hydraulic hose assembly 6-L1100-1SC-60°	液压管总成(异)6-L1100-1SC-60°	1	
35	255023520007	Joint 6-G1/4-M14x1.5-60°	接头(直)6-G1/4-M14x1.5-60°	3	
36	910800100021	O-ring 11.2x2.65	O形圈-内11.2x2.65	4	
37	255023520027	Rubber hose fixing block	胶管固定板	1	
38	255028520034	Rubber hose fixing block	胶管固定块	2	
39	910200200060	Screw GB70.1-M8x35-8.8	螺钉GB70.1-M8x35-8.8	1	
40	255023520012	Hydraulic hose assembly 6-L500-1SC-60°	液压管总成(直)6-L500-1SC-60°	1	
41	255023520016	Hydraulic hose assembly 6-L600-1SC-60°	液压管总成U型6-L600-1SC-60°	1	
42	255023520019	Joint 8-G1/4-M16x1.5-60°	接头(直)8-G1/4-M16x1.5-60°	1	



门架起升管路 (标准门架) / Mast lifting pipeline (standard mast)

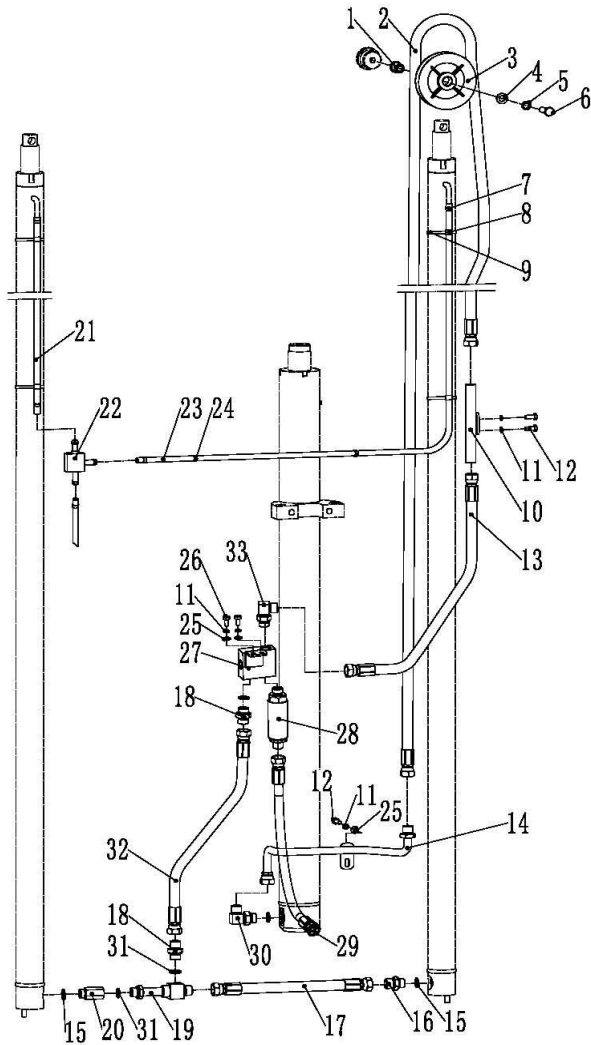


序号/NO	编码/SN	Name	名称	数量/QTY	备注/Remarks
1	255044020043	Hoop	卡箍	6	
2	921600400002	Strip 8x300	扎带8x300	4	
3	255044020042	Press plate	压板	4	
4	900200301004	Oil return hose1L=620	回油管 1L=620	2	H=2000
	900200301004	Oil return hose1L=870	回油管 1L=870	2	H=2500
	900200301004	Oil return hose1L=1120	回油管 1L=1120	2	H=3000
	900200301004	Oil return hose1L=1270	回油管 1L=1270	2	H=3300
	900200301004	Oil return hose1L=1370	回油管 1L=1370	2	H=3500
	900200301004	Oil return hose1L=1420	回油管 1L=1420	2	H=3600
	900200301004	Oil return hose1L=1470	回油管 1L=1470	2	H=3700
	900200301004	Oil return hose1L=1620	回油管 1L=1620	2	H=4000
	900200301004	Oil return hose1L=1770	回油管 1L=1770	2	H=4300
	900200301004	Oil return hose1L=1920	回油管 1L=1920	2	H=4500
	900200301004	Oil return hose1L=2120	回油管 1L=2120	2	H=5000
	900200301004	Oil return hose1L=2370	回油管 1L=2370	2	H=5500
900200301004	Oil return hose1L=2620	回油管 1L=2620	2	H=6000	
5	255044020118	Joint	接头(三通)	1	
6	255044020150	Hydraulic hose assembly 15-L360-2SC-60°	液压管总成(直)15-L360-2SC-60°	1	
7	950700300002	Speed limit valve XSF-F16L-48	限速阀 XSF-F16L-48	1	
8	910800100040	Oring -out 24x2.4	O形圈-外24x2.4	1	
9	255044010040	Joint	接头(三通)	1	
10	255044020013	Hydraulic hose assembly (135° )15-L740-2SC	液压管总成(135°)15-L740-2SC-60°	1	
11	921600400003	Strip P-N156-00646	扎带(带扣)P-N156-00646	2	
12	900200301004	Oil return hose2	回油管2	1	
13	910800100003	Oring 17x2.65	O形圈-内17x2.65	3	
14	255044020122	Joint 12-M20x1.5-M22x1.5-60°	接头(直)12-M20x1.5-M22x1.5-60°	1	





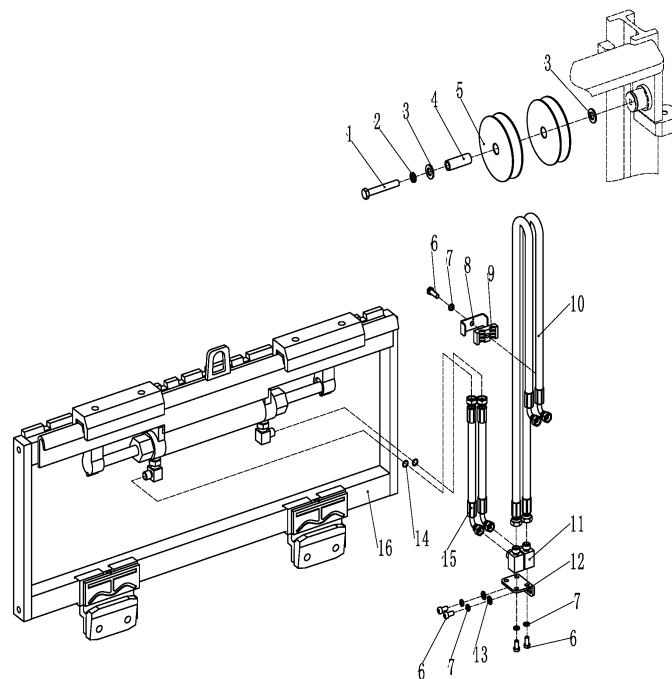
门架起升管路 (三级全自由)/Mast lifting pipeline(three stage full free lift)



序号/NO	编码/SN	Name	名称	数量/QTY	备注/Remarks
1	255044520081	Bushing	衬套	1	
2	255044520084	Hydraulic hose assembly 15-L1910-2SC-60°	液压管总成(直)15-L1910-2SC-60°	1	H=3600
	255044520071	Hydraulic hose assembly 15-L2180-2SC-60°	液压管总成(直)15-L2180-2SC-60°	1	H=4000
	255044520072	Hydraulic hose assembly 15-L2430-2SC-60°	液压管总成(直)15-L2430-2SC-60°	1	H=4350
	255044520073	Hydraulic hose assembly 15-L2530-2SC-60°	液压管总成(直)15-L2530-2SC-60°	1	H=4500
	255044520074	Hydraulic hose assembly 15-L2730-2SC-60°	液压管总成(直)15-L2730-2SC-60°	1	H=4700/4800
	255044520075	Hydraulic hose assembly 15-L3015-2SC-60°	液压管总成(直)15-L3015-2SC-60°	1	H=5000
	255044520076	Hydraulic hose assembly 15-L3480-2SC-60°	液压管总成(直)15-L3480-2SC-60°	1	H=5400/5500
	255044520077	Hydraulic hose assembly 15-L3950-2SC-60°	液压管总成(直)15-L3950-2SC-60°	1	H=6000
	255044520124	Hydraulic hose assembly 15-L4410-2SC-60°	液压管总成(直)15-L4410-2SC-60°	1	H=6500
	253044520063	Hydraulic hose assembly 15-L4410-2SC-60°	液压管总成(直)15-L4550-2SC-60°	1	H=7000
3	255044520096	Pulley	滑轮Φ120x36(单槽)	1	
4	910400100008	Washer GB97.1-12-200HV	平垫圈GB97.1-12-200HV	1	
5	910400500008	Washer GB93-12	弹簧垫圈GB93-12	1	
6	910100300054	Bolt GB5783-M12x50-8.8	螺栓GB5783-M12x50-8.8	1	
7	255044020043	Hoop 13	卡箍13	5	
8	921600400002	Strip 8x300	扎带8x300	6	
9	255044020042	Press plate	压板	6	
10	255044510020	Hydraulic steel pipe welding	液压钢管焊合	1	
11	910400500006	Washer GB93-8	弹簧垫圈GB93-8	5	
12	910100300022	Bolt GB5783-M8x20-8.8	螺栓GB5783-M8x20-8.8	3	
13	255044520083	Hydraulic hose assembly 15-L530-2SC-60°	液压管总成(直)15-L530-2SC-60°	1	
14	255044510021	Hydraulic steel pipe welding	液压钢管焊合	1	
15	910800100003	Oring 17x2.65	O形圈-内17x2.65	2	
16	255044020122	Joint 12-M20x1.5-M22x1.5-60°	接头(直)12-M20x1.5-M22x1.5-60°	1	
17	255044520067	Hydraulic hose assembly 15-L330-2SC-60°	液压管总成(直)15-L330-2SC-60°	1	
18	255023520030	Joint 12-2xM22x1.5-60°	接头(直)12-2xM22x1.5-60°	2	
19	255044010040	Joint	三通接头	1	
20	255044520080	Joint	内外接头	1	
21	900200301004	Oil return hose L=655	回油管L=655	1	
	900200301004	Oil return hose L=780	回油管L=780	1	

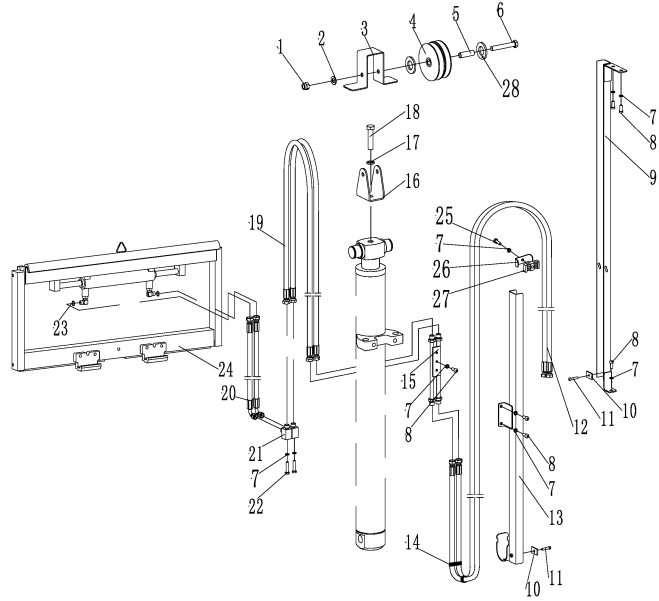


侧移器及管路安装 (标准门架) / Side shifter and pipeline installation (standard mast)



序号/NO	编码/SN	Name	名称	数量/QTY	备注/Remarks
1	910100100056	Bolt GB5782-M12x90-8.8	螺栓GB5782-M12x90-8.8	1	
2	910400500008	WasherGB93-12	弹簧垫圈GB93-12	1	
3	910400100008	Washer GB97.1-12-200HV	平垫圈GB97.1-12-200HV	1	
4	255030520022	Bush $\Phi 22 \times \Phi 13 \times 56$	衬套 $\Phi 22 \times \Phi 13 \times 56$	1	
5	255030520021	Pulley $\Phi 110 \times 27$	滑轮 $\Phi 110 \times 27$ (单槽)	2	
6	910200200059	ScrewGB70.1-M8x30-8.8	螺钉GB70.1-M8x30-8.8	2	
7	910400500006	Washer GB93-8	弹簧垫圈GB93-8	6	
8	255028520034	Rubber pipe lump	胶管固定块	2	
9	255028520035	Pipe press fixedly piank	管夹安装板	2	
10	255028520046	Hydraulic hose assembly (90°)10-L2950-1SC-6	液压管总成(90°)10-L2950-1SC-60°	2	H=2000
	255028520047	Hydraulic hose assembly (90°)10-L3450-1SC-6	液压管总成(90°)10-L3450-1SC-60°	2	H=2500
	255027520011	Hydraulic hose assembly (90°)10-L4050-1SC-6	液压管总成(90°)10-L4050-1SC-60°	2	H=3000
	255027520012	Hydraulic hose assembly (90°)10-L4250-1SC-6	液压管总成(90°)10-L4250-1SC-60°	2	H=3300
	255027520013	Hydraulic hose assembly (90°)10-L4400-1SC-6	液压管总成(90°)10-L4400-1SC-60°	2	H=3500
	255027520001	Hydraulic hose assembly (90°)10-L4500-1SC-6	液压管总成(90°)10-L4500-1SC-60°	2	H=3600
	255027520014	Hydraulic hose assembly (90°)10-L4650-1SC-6	液压管总成(90°)10-L4650-1SC-60°	2	H=3700
	255027520015	Hydraulic hose assembly (90°)10-L5050-1SC-6	液压管总成(90°)10-L5050-1SC-60°	2	H=4000
	255027520016	Hydraulic hose assembly (90°)10-L5350-1SC-6	液压管总成(90°)10-L5350-1SC-60°	2	H=4300
	255027520017	Hydraulic hose assembly (90°)10-L5550-1SC-6	液压管总成(90°)10-L5550-1SC-60°	2	H=4500
	255027520018	Hydraulic hose assembly (90°)10-L6150-1SC-6	液压管总成(90°)10-L6150-1SC-60°	2	H=5000
	255027520019	Hydraulic hose assembly (90°)10-L6650-1SC-6	液压管总成(90°)10-L6650-1SC-60°	2	H=5500
255027520020	Hydraulic hose assembly (90°)10-L7150-1SC-6	液压管总成(90°)10-L7150-1SC-60°	2	H=6000	
11	255029020024	Joint 8-2XM16x1.5-60°	接头(锁定弯)8-2xM16x1.5-60°	2	
12	254127520001	fixedly piank	安装板	1	
13	910400100006	Washer GB97.1-8-200HV	平垫圈GB97.1-8-200HV	2	
14	910800100001	Oring 9.5x1.8	O形圈-内9.5x1.8	4	
15	255042520101	Hydraulic hose assembly (90°)10-L500-1SC-60	液压管总成(90°)10-L500-1SC-60°-0°	2	
16	255042510004	Side shifter assembly(LH)	侧移器总成(LH)	1	选装/optional
	255042510001	Side shifter assembly(LD)	侧移器总成(LD)	1	选装/optional
	255042510002	Side shifter assembly(CASCADE)	侧移器总成(卡斯卡特)	1	选装/optional

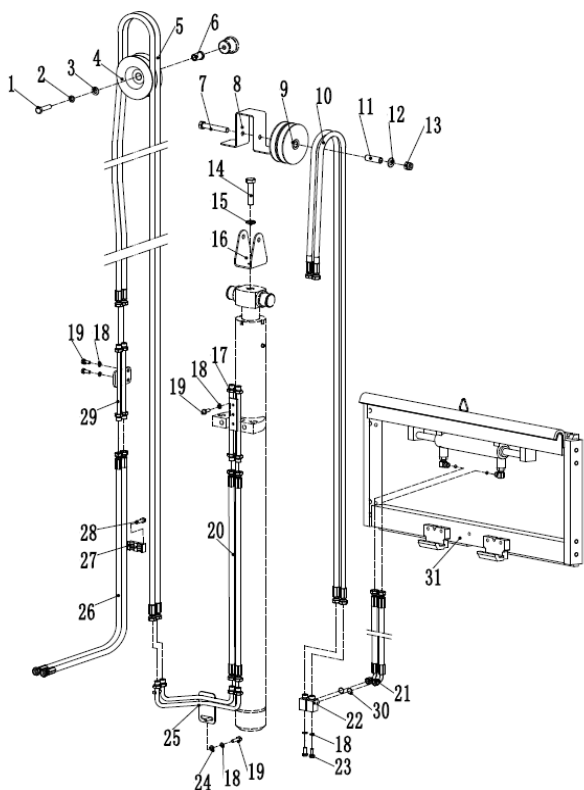
侧移器及管路安装 (二级全自由) / Side shifter and pipeline installation (two stage full free)



序号/NO	编码/SN	Name	名称	数量/QTY	备注/Remarks
1	910300500006	Nut GB889.1-M12-10	螺母GB889.1-M12-10	1	
2	910400100008	Washer GB97.1-12-200HV	平垫圈GB97.1-12-200HV	1	
3	255028520043	Plate	挡链板	1	
4	255030520021	Pulley $\phi 110 \times 27$	滑轮 $\phi 110 \times 27$ (单槽)	2	
5	255030520022	Bushing $\Phi 22 \times \Phi 13 \times 56$	衬套 $\Phi 22 \times \Phi 13 \times 56$	1	
6	910100100058	Bolt GB5782-M12x100-8.8	螺栓GB5782-M12x100-8.8	1	
7	910400500006	Washer GB93-8	弹簧垫圈GB93-8	11	
8	910200200057	Screw GB70.1-M8x20-8.8	螺钉GB70.1-M8x20-8.8	7	
9	255028510001	Groove welding L=670	外导槽焊合L=670	1	H=2000
	255028510002	Groove welding L=840	外导槽焊合L=840	1	H=2500
	255028510003	Groove welding L=1090	外导槽焊合L=1090	1	H=3000
	255028510004	Groove welding L=1240	外导槽焊合L=1240	1	H=3300/3500
	255028510005	Groove welding L=1390	外导槽焊合L=1390	1	H=3600/3700
	255028510006	Groove welding L=1640	外导槽焊合L=1640	1	H=4000
10	255028520052	Press plate	压板	2	
11	910200200039	Screw GB70.1-M6x30-8.8	螺钉GB70.1-M6x30-8.8	2	
12	252030520016	Hydraulic hose assembly 10-L2220-1SC-60°	液压管总成(直)10-L2220-1SC-60°	2	H=2000
	254130520009	Hydraulic hose assembly 10-L2470-1SC-60°	液压管总成(直)10-L2470-1SC-60°	2	H=2500
	263028520010	Hydraulic hose assembly 10-L2940-1SC-60°	液压管总成(直)10-L2940-1SC-60°	2	H=3000
	255030520013	Hydraulic hose assembly 10-L3180-1SC-60°	液压管总成(直)10-L3180-1SC-60°	2	H=3300/3500
	254128520039	Hydraulic hose assembly 10-L3250-1SC-60°	液压管总成(直)10-L3250-1SC-60°	2	H=3600/3700
	255028520059	Hydraulic hose assembly 10-L3600-1SC-60°	液压管总成(直)10-L3600-1SC-60°	2	H=4000
13	255028510011	Groove welding L=545	内导槽焊合L=545	1	H=2000
	255028510012	Groove welding L=670	内导槽焊合L=670	1	H=2500
	255028510013	Groove welding L=795	内导槽焊合L=795	1	H=3000
	255028510014	Groove welding L=870	内导槽焊合L=870	1	H=3300/3500
	255028510015	Groove welding L=920	内导槽焊合L=920	1	H=3600/3700
	255028510016	Groove welding L=960	内导槽焊合L=960	1	H=4000
14	921600400002	Strip 8x300	扎带8x300	2	
15	255028510022	Transition steel pipe	过渡钢管	1	
16	255030520026	Pulley frame	滑轮架体	1	



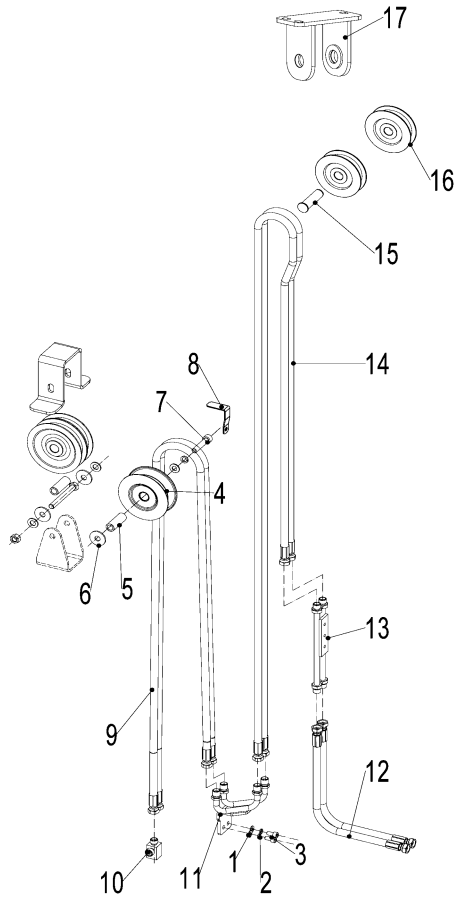
侧移器及管路安装(三级全自由)/Side shifter and pipeline installation(three stage full free)



序号/NO	编码/SN	Name	名称	数量/QTY	备注/Remarks
1	910100100048	Bolt GB5782-M12x50-8.8	螺栓GB5782-M12x50-8.8	1	
2	910400500008	Washer GB93-12	弹簧垫圈GB93-12	1	
3	910400100008	Washer GB97.1-12-200HV	平垫圈GB97.1-12-200HV	2	
4	255030520020	Pulley $\Phi$ x36 120 (dual slot)	滑轮 $\Phi$ 120x36(双槽)	1	
5	255023520036	Hydraulic hose assembly 10-L1800-1CS-60°	液压管总成(直)10-L1800-1SC-60°	1	H=3600
	255030520001	Hydraulic hose assembly 10-L2060-1CS-60°	液压管总成(直)10-L2060-1SC-60°	1	H=4000
	255030520002	Hydraulic hose assembly 10-L2310-1CS-60°	液压管总成(直)10-L2310-1SC-60°	1	H=4350
	255030520003	Hydraulic hose assembly 10-L2410-1CS-60°	液压管总成(直)10-L2410-1SC-60°	1	H=4500
	255030520004	Hydraulic hose assembly 10-L2610-1CS-60°	液压管总成(直)10-L2610-1SC-60°	1	H=4800/4700
	255030520005	Hydraulic hose assembly 10-L2900-1CS-60°	液压管总成(直)10-L2900-1SC-60°	1	H=5000
	255030520006	Hydraulic hose assembly 10-L3370-1CS-60°	液压管总成(直)10-L3370-1SC-60°	1	H=5500/5400
	255030520007	Hydraulic hose assembly 10-L3840-1CS-60°	液压管总成(直)10-L3840-1SC-60°	1	H=6000
	263030520008	Hydraulic hose assembly 10-L4330-1CS-60°	液压管总成(直)10-L4330-1SC-60°	1	H=6500
275228011001	Hydraulic hose assembly 10-L4650-1CS-60°	液压管总成(直)10-L4650-1SC-60°	1	H=7000	
6	255030520023	Bushing	衬套1	1	
7	910100100058	Bolt GB5782-M12x100-8.8	螺栓GB5782-M12x100-8.8	1	
8	255028520043	Chain plate	挡板	1	
9	255030520021	Pulley $\phi$ 110x27	滑轮 $\phi$ 110x27(单槽)	2	
10	255029020011	Hydraulic hose assembly 10-L1260-1CS-60°	液压管总成(直)10-L1260-1SC-60°	2	H=3600
	255029020014	Hydraulic hose assembly 10-L1340-1CS-60°	液压管总成(直)10-L1340-1SC-60°		H=4000
	255029020012	Hydraulic hose assembly 10-L1410-1CS-60°	液压管总成(直)10-L1400-1SC-60°	2	H=4300
	255030520037	Hydraulic hose assembly 10-L1500-1CS-60°	液压管总成(直)10-L1500-1SC-60°	2	H=4500
	255028520011	Hydraulic hose assembly 10-L1620-1CS-60°	液压管总成(直)10-L1620-1SC-60°	2	H=4800/4700
	255030520024	Hydraulic hose assembly 10-L1720-1CS-60°	液压管总成(直)10-L1720-1SC-60°	2	H=5000
	255028520048	Hydraulic hose assembly 10-L1950-1CS-60°	液压管总成(直)10-L1950-1SC-60°	2	H=5500/5400
	254130540001	Hydraulic hose assembly 10-L2190-1CS-60°	液压管总成(直)10-L2190-1SC-60°	2	H=6000
	256531020701	Hydraulic hose assembly 10-L2430-1CS-60°	液压管总成(直)10-L2430-1SC-60°	2	H=6500
255030520004	Hydraulic hose assembly 10-L2610-1CS-60°	液压管总成(直)10-L2610-1SC-60°	2	H=7000	
11	255030520022	Bush $\Phi$ 22x $\Phi$ 13x56	衬套 $\Phi$ 22x $\Phi$ 13x56	1	
12	910400100008	Washer GB97.1-12-200HV	平垫圈GB97.1-12-200HV	2	
13	910300500006	Nut GB889.1-M12-10	螺母GB889.1-M12-10	1	



双附加管路(三级全自由)/Double additional pipeline (three-stage full freedom)



序号/NO	编码/SN	Name	名称	数量/QTY	备注/Remarks
1	910400100006	Washer GB97.1-8-200HV	平垫圈GB97.1-8-200HV	5	
2	910400500006	WasherGB93-8	弹簧垫圈GB93-8	8	
3	910100300022	Bolt GB5783-M8x20-8.8	螺栓GB5783-M8x20-8.8	7	
4	255030520021	Pulley Φ110x27	滑轮Φ110x27(单槽)	4	
5	255030520022	BushΦ20xΦ13x56	衬套Φ20xΦ13x56	1	
6	910400200005	Washer GB96.1-12-200HV	大垫圈GB96.1-12-200HV	2	
7	910100100056	Bolt GB5782-M12x90-8.8	螺栓GB5782-M12x90-8.8	1	
8	255029020015	Hose baffle	胶管挡板	1	
9	255029020015	Hydraulic hose assembly 10-L1560-1SC-6	液压管总成(直)10-L1560-1SC-60°	2	H=3600
9	255028520049	Hydraulic hose assembly 10-L1680-1SC-6	液压管总成(直)10-L1680-1SC-60°	2	H=4000
9	255030520027	Hydraulic hose assembly 10-L1850-1SC-6	液压管总成(直)10-L1850-1SC-60°	2	H=4350/4500
9	255028520048	Hydraulic hose assembly 10-L1950-1SC-6	液压管总成(直)10-L1950-1SC-60°	2	H=4800/4700
9	255030520001	Hydraulic hose assembly 10-L2060-1SC-6	液压管总成(直)10-L2060-1SC-60°	2	H=5000
9	255028520045	Hydraulic hose assembly 10-L2300-1SC-6	液压管总成(直)10-L2300-1SC-60°	2	H=5500/5400
9	255031020100	Hydraulic hose assembly 10-L2530-1SC-6	液压管总成(直)10-L2530-1SC-60°	2	H=6000
9	255028520050	Hydraulic hose assembly 10-L2730-1SC-6	液压管总成(直)10-L2730-1SC-60°	2	H=6500
10	255029020024	Joint 8-2XM16x1.5-60°	接头(锁定弯)8-2xM16x1.5-60°	4	
11	255031020006	Hydraulic steel pipe welding	液压钢管焊合	1	
12	255031020008	Hydraulic hose assembly (135°)10-L1000-	液压管总成(135°)10-L1000-1SC-60°	2	
13	255028510022	Excessive pipe welding	过渡钢管	1	
14	263030520011	Hydraulic hose assembly 10-L2060-1SC-6	液压管总成(直)10-L2060-1SC-60°	2	
14	255031020009	Hydraulic hose assembly 10-L2340-1SC-6	液压管总成(直)10-L2340-1SC-60°	2	
14	255031020010	Hydraulic hose assembly 10-L2590-1SC-6	液压管总成(直)10-L2590-1SC-60°	2	
14	263028520009	Hydraulic hose assembly 10-L2690-1SC-6	液压管总成(直)10-L2690-1SC-60°	2	
14	255031020012	Hydraulic hose assembly 10-L2890-1SC-6	液压管总成(直)10-L2890-1SC-60°	2	
14	255031020013	Hydraulic hose assembly 10-L3180-1SC-6	液压管总成(直)10-L3180-1SC-60°	2	
14	255031020014	Hydraulic hose assembly 10-L3630-1SC-6	液压管总成(直)10-L3630-1SC-60°	2	
14	281227511003	Hydraulic hose assembly 10-L4300-1SC-6	液压管总成(直)10-L4300-1SC-60°	2	
15	255031020004	Axle Φ20x70	带耳轴Φ20x70	1	
16	255031020007	Pulley Φ90x22	滑轮Φ90x22(单槽)	2	
17	255031010001	Pulley support welded 1	滑轮支架焊合1	1	

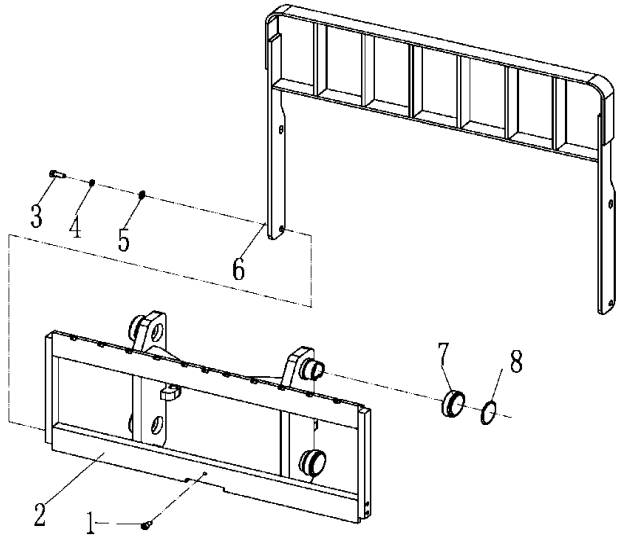






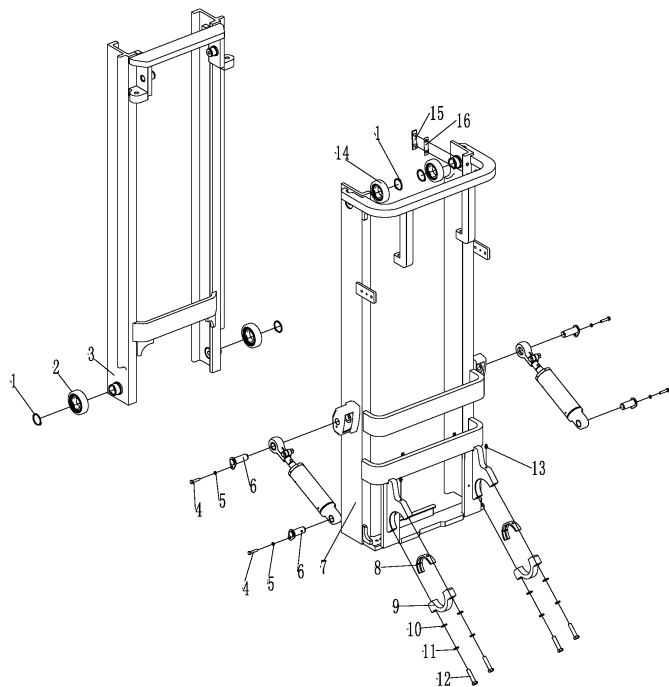
### 货叉架(二级全自由)/Fork carrier (two stage full free)

序号/NO	编码/SN	Name	名称	数量/QTY	备注/Remarks
1	910200200077	ScrewGB70.1-M10x30-8.8	螺钉 GB70.1-M10x30-8.8	1	
2	255038015001	Fork carrier welding (two stage full free)	货叉架焊合A (二级全自由)	1	
3	910100300062	Bolt GB5783-M14x30-8.8	螺栓 GB5783-M14x30-8.8	8	
4	910400500009	Washer GB93-14	弹簧垫圈 GB93-14	8	
5	910400100009	Washer GB97.1-14-200HV	平垫圈 GB97.1-14-200HV	8	
6	255040510001	Fork carrier welding	挡货架焊合	1	
7	940200300025	Roller φ119.6-range=59.5-64.5	复合滚轮 Φ119.6-range=59.5-64.5	6	
8	910401300026	Circlip GB894.1-55	轴用弹性挡圈 GB894.1-55	6	





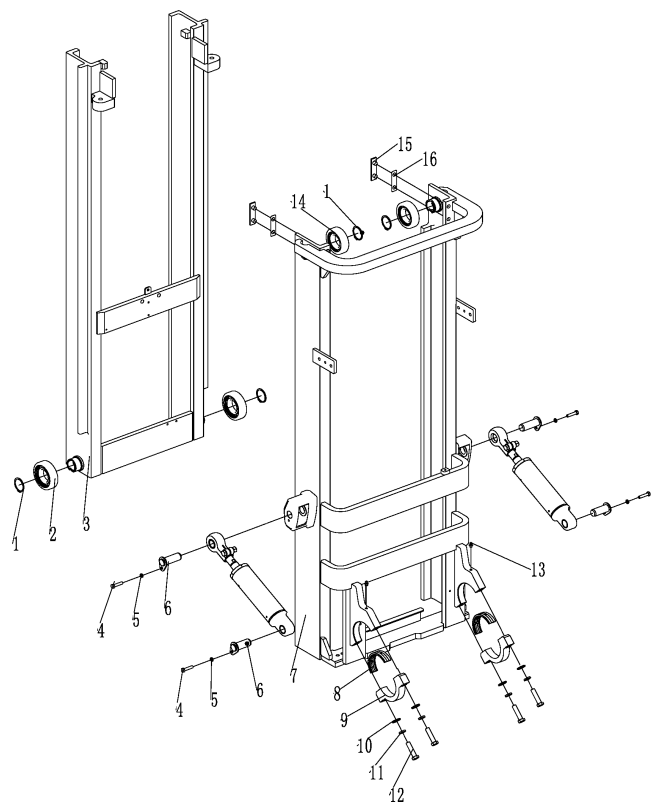
门架(标准门架)/Mast (standard mast)



序号/NO	编码/SN	Name	名称	数量/QTY	备注/Remarks
1	910401300026	Circlip GB894.1-55	轴用弹性挡圈GB894.1-55	2	
2	940200300025	Roller $\phi 119.6$ -range=59.5-64.5	复合滚轮 $\phi 119.6$ -range=59.5-64.5	4	
3	255044010001	Mast 2000	内门架焊合2000	1	H=2000
	255044010002	Mast 2500	内门架焊合2500	1	H=2500
	255044010003	Mast 3000	内门架焊合3000	1	H=3000
	255044010004	Mast 3300	内门架焊合3300	1	H=3300
	255044010005	Mast 3500	内门架焊合3500	1	H=3500
	255044010006	Mast 3600	内门架焊合3600	1	H=3600
	255044010007	Mast 3700	内门架焊合3700	1	H=3700
	255044010008	Mast 4000	内门架焊合4000	1	H=4000
	255044010009	Mast 4300	内门架焊合4300	1	H=4300
	255044010010	Mast 4500	内门架焊合4500	1	H=4500
	255044010011	Mast 5000	内门架焊合5000	1	H=5000
255044010012	Mast 5500	内门架焊合5500	1	H=5500	
255044010013	Mast 6000	内门架焊合6000	1	H=6000	
4	910100300035	Bolt GB5783-M10x20-8.8	螺栓GB5783-M10x20-8.8	4	
5	910400500007	Washer GB93-10	弹簧垫圈GB93-10	4	
6	255044010057	Axle $\phi 30 \times 82$	带耳轴 $\phi 30 \times 82$	4	
7	255044010014	Mast 2000	外门架焊合2000	1	H=2000
	255044010015	Mast 2500	外门架焊合2500	1	H=2500
	255044010016	Mast 3000	外门架焊合3000	1	H=3000
	255044010017	Mast 3300	外门架焊合3300	1	H=3300
	255044010018	Mast 3500	外门架焊合3500	1	H=3500
	255044010019	Mast 3600	外门架焊合3600	1	H=3600
	255044010020	Mast 3700	外门架焊合3700	1	H=3700
	255044010021	Mast 4000	外门架焊合4000	1	H=4000
	255044010022	Mast 4300	外门架焊合4300	1	H=4300
	255044010023	Mast 4500	外门架焊合4500	1	H=4500
	255044010024	Mast 5000	外门架焊合5000	1	H=5000
	255044010025	Mast 5500	外门架焊合5500	1	H=5500
	255044010026	Mast 6000	外门架焊合6000	1	H=6000



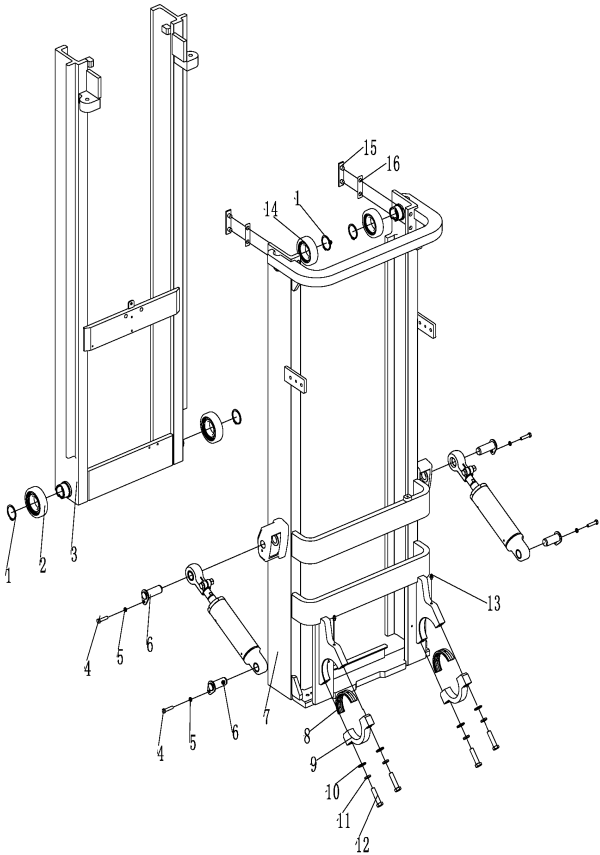
门架 (二级全自由) / Mast (two stage full free)



序号/NO	编码/SN	Name	名称	数量/QTY	备注/Remarks
1	910401300026	Circlip GB894.1-55	轴用弹性挡圈GB894.1-55	2	
2	940200300025	Roller $\phi 119.6$ -range=59.5-64.5	复合滚轮 $\phi 119.6$ -range=59.5-64.5	2	
3	255043510027	Mast 2000	内门架焊合2000	1	H=2000
	255043510028	Mast 2500	内门架焊合2500	1	H=2500
	255043510029	Mast 3000	内门架焊合3000	1	H=3000
	255043510030	Mast 3300	内门架焊合3300	1	H=3300
	255043510031	Mast 3500	内门架焊合3500	1	H=3500
	255043510032	Mast 3600	内门架焊合3600	1	H=3600
	255043510033	Mast 3700	内门架焊合3700	1	H=3700
	255043510034	Mast 4000	内门架焊合4000	1	H=4000
	255043510035	Mast 4300	内门架焊合4300	1	H=4300
	255043510036	Mast4500	内门架焊合4500	1	H=4500
	255043510037	Mast5000	内门架焊合5000	1	H=5000
	255043510038	Mast5500	内门架焊合5500	1	H=5500
255043510039	Mast6000	内门架焊合6000	1	H=6000	
4	910100300035	Bolt GB5783-M10x20-8.8	螺栓GB5783-M10x20-8.8	4	
5	910400500007	Washer GB93-10	弹簧垫圈GB93-10	4	
6	255044010057	Axle $\phi 30 \times 82$	带耳轴 $\phi 30 \times 82$	4	
7	255043510014	Mast 2000	外门架焊合2000	1	H=2000
	255043510015	Mast 2500	外门架焊合2500	1	H=2500
	255043510016	Mast 3000	外门架焊合3000	1	H=3000
	255043510017	Mast 3300	外门架焊合3300	1	H=3300
	255043510018	Mast 3500	外门架焊合3500	1	H=3500
	255043510019	Mast 3600	外门架焊合3600	1	H=3600
	255043510020	mast3700	外门架焊合3700	1	H=3700
	255043510021	Mast 4000	外门架焊合4000	1	H=4000
	255043510022	Mast 4300	外门架焊合4300	1	H=4300
	255043510023	Mast 4500	外门架焊合4500	1	H=4500
	255043510024	Mast 5000	外门架焊合5000	1	H=5000
	255043510025	Mast 5500	外门架焊合5500	1	H=5500
255043510026	Mast 6000	外门架焊合6000	1	H=6000	

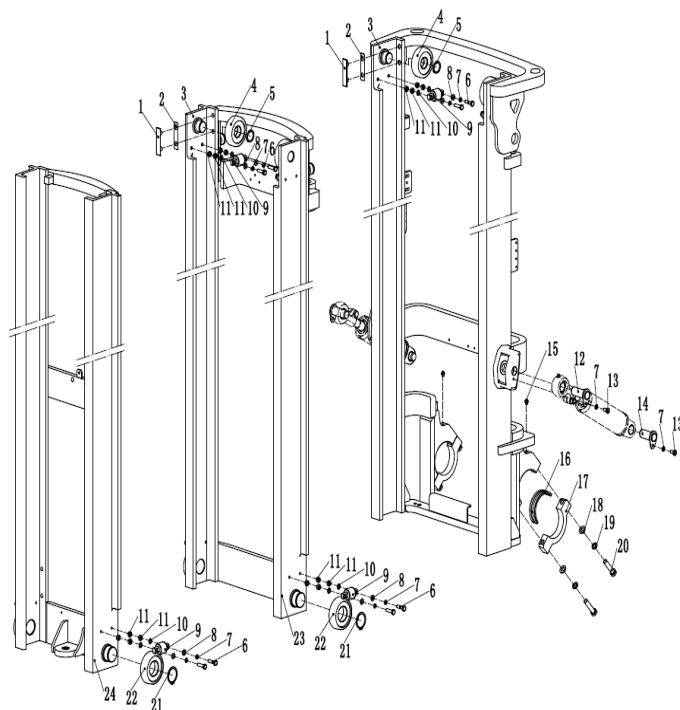
门架 (二级全自由) / Mast (two stage full free)

序号/NO	编码/SN	Name	名称	数量/QTY	备注/Remarks
8	255044020006	Bearing bush	轴瓦	2	
9	255044020005	Bearing cover	支座盖	2	
10	910400500010	Washer GB93-16	弹簧垫圈GB93-16	4	
11	910100200016	Bolt GB5785-M16x1.5x70-8.8	螺栓GB5785-M16x1.5x70-8.8	4	
12	910400100010	Washer GB97.1-16-200HV	平垫圈GB97.1-16-200HV	4	
13	911200100004	Grease nipple JB7940.1-M10x1	油杯JB7940.1-M10x1	2	
14	940200300013	Roller $\phi 111$ -range=53-58	复合滚轮 $\phi 111$ -range=53-58	2	
15	255044020131	Guide plate	垫板	2	
16	255044020132	Adjusting pad $\phi 35 \times \phi 16 \times 0.8$	调整垫 $\phi 35 \times \phi 16 \times 0.8$	2	选装/Optional
	255044020133	Adjusting pad $\phi 35 \times \phi 16 \times 0.5$	调整垫 $\phi 35 \times \phi 16 \times 0.5$	2	选装/Optional
	255044020134	Adjusting pad $\phi 35 \times \phi 16 \times 0.2$	调整垫 $\phi 35 \times \phi 16 \times 0.2$	2	选装/Optional





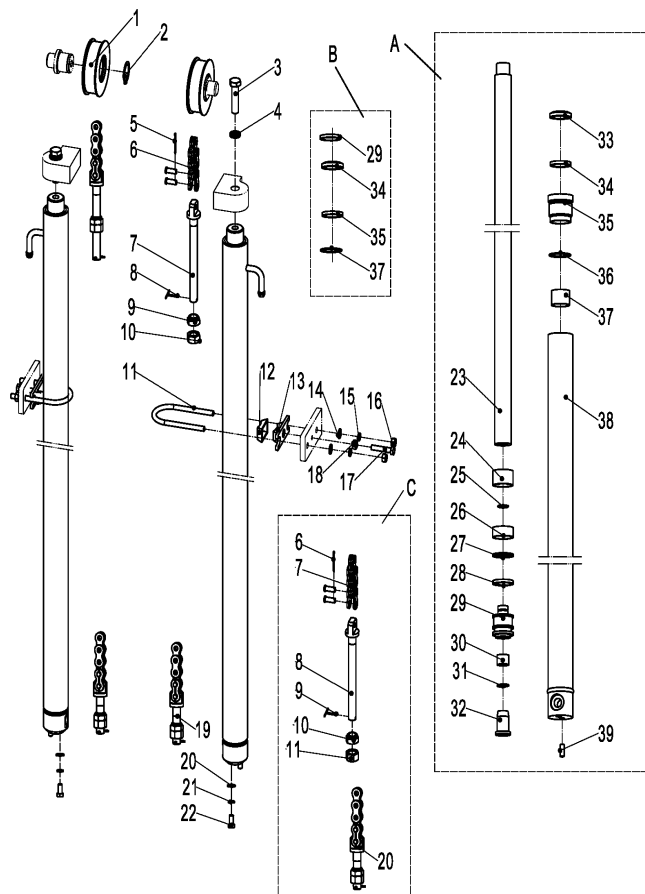
### 门架(三级全自由)/Mast (three stage full free)



序号/NO	编码/SN	Name	名称	数量/QTY	备注/Remarks
1	255044020131	Guide plate	垫板	4	
2	255044020132	Adjusting pad $\phi 35 \times \phi 16 \times 0.8$	调整垫 $\phi 35 \times \phi 16 \times 0.8$	4	
	255044020133	Adjusting pad $\phi 35 \times \phi 16 \times 0.5$	调整垫 $\phi 35 \times \phi 16 \times 0.5$	4	
	255044020134	Adjusting pad $\phi 35 \times \phi 16 \times 0.2$	调整垫 $\phi 35 \times \phi 16 \times 0.2$	4	
3	255044510120	Mast 3600	外门架焊合3600	1	H=3600
	255044510030	Mast 4000	外门架焊合4000	1	H=4000
	255044510031	Mast 4300	外门架焊合4300	1	H=4300
	255044510032	Mast 4500	外门架焊合4500	1	H=4500
	255044510033	Mast 4800	外门架焊合4800	1	H=4800
	255044510034	Mast 5000	外门架焊合5000	1	H=5000
	255044510035	Mast 5500	外门架焊合5500	1	H=5500
	255044510036	Mast 6000	外门架焊合6000	1	H=6000
4	910401300020	Circlip GB894.1-40	轴用弹性挡圈GB894.1-40	4	
5	910100300039	Bolt GB5783-M10x40-8.8	螺栓GB5783-M10x40-8.8	8	
6	910400500007	Washer GB93-10	弹簧垫圈GB93-10	8	
7	910400500008	Washer GB93-12	弹簧垫圈GB93-12	6	
8	910400100007	Washer GB97.1-10-200HV	平垫圈GB97.1-10-200HV	8	
9	940200200005	Roller $\Phi 42$ -CD=68	侧滚轮 $\Phi 42$ -CD=68	8	
10	255038020008	Adjusting pad	侧滚轮调整套	8	
11	255038020009	Adjusting pad	侧滚轮调整垫	8	
12	255044010057	Axle $\phi 30 \times 82$	带耳轴 $\phi 30 \times 82$	4	
13	910100300035	Bolt GB5783-M10x20-8.8	螺栓GB5783-M10x20-8.8	4	
14	911200100004	Grease nipple JB7940.1-M10x1	油杯JB7940.1-M10x1	2	
15	255044020006	Bearing bush	轴瓦	2	
16	255044020005	Bearing cover	支座盖	2	
17	910400500010	Washer GB93-16	弹簧垫圈GB93-16	4	
18	910100200016	Bolt GB5785-M16x1.5x70-8.8	螺栓GB5785-M16x1.5x70-8.8	4	
19	910400100010	Washer GB97.1-16-200HV	平垫圈GB97.1-16-200HV	4	
20	910401300026	Circlip GB894.1-55	轴用弹性挡圈GB894.1-55	2	
21	940200100021	Main roller $\Phi 119.6 \times \Phi 55 \times 34$	主滚轮 $\Phi 119.6 \times \Phi 55 \times 34$	4	
22	255044510116	Mast 3600	中门架焊合3600	1	H=3600

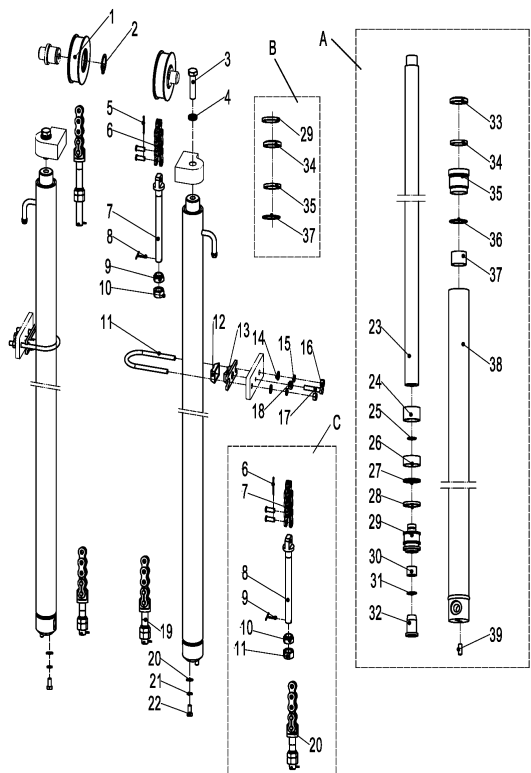


起升油缸 (标准门架) / Lifting cylinder (standard mast)



序号/NO	编码/SN	Name	名称	数量/QTY	备注/Remarks
A	255044010043	Cylinder Φ56xΦ45x995(H=2000)	油缸(H=2000)	2	包含/Inc. 24-41
	255044010044	Cylinder Φ56xΦ45x1245(H=2500)	油缸(H=2500)	2	
	255044010055	Cylinder Φ56xΦ45x1495(H=3000)	油缸(H=3000)	2	
	255044010045	Cylinder Φ56xΦ45x1645(H=3300)	油缸(H=3300)	2	
	255044010046	Cylinder Φ56xΦ45x1745(H=3500)	油缸(H=3500)	2	
	255044010047	Cylinder Φ56xΦ45x1795(H=3600)	油缸(H=3600)	2	
	255044010048	Cylinder Φ56xΦ45x1845(H=3700)	油缸(H=3700)	2	
	255044010049	Cylinder Φ56xΦ45x2045(H=4000)	油缸(H=4000)	2	
	255044010050	Cylinder Φ56xΦ45x2195(H=4300)	油缸(H=4300)	2	
	255044010051	Cylinder Φ56xΦ45x2295(H=4500)	油缸(H=4500)	2	
	255044010052	Cylinder Φ56xΦ45x2595(H=5000)	油缸(H=5000)	2	
	255044010053	Cylinder Φ56xΦ45x2845(H=5500)	油缸(H=5500)	2	
	255044010054	Cylinder Φ56xΦ45x3095(H=6000)	油缸(H=6000)	2	
B	255098510001	Seal kits(standard mast lifting cylinder)	密封件修理包(标准门架起升缸)	2	包含/Inc. 29, 34, 35, 37
C	255044010101	Lifting chain LH1623-77	起升链条LH1623-77	2	H=3000(包含11个)
	255044010059	Lifting chain LH1623-57	起升链条LH1623-57	2	H=2000(包含11个)
	255044010103	Lifting chain LH1623-67	起升链条LH1623-67	2	H=2500(包含11个)
	255044010104	Lifting chain LH1623-83	起升链条LH1623-83	2	H=3300(包含11个)
	255044010105	Lifting chain LH1623-87	起升链条LH1623-87	2	H=3500(包含11个)
	255044010106	Lifting chain LH1623-89	起升链条LH1623-89	2	H=3600(包含11个)
	255044010107	Lifting chain LH1623-91	起升链条LH1623-91	2	H=3700(包含11个)
	255044010108	Lifting chain LH1623-99	起升链条LH1623-99	2	H=4000
	255044010067	Lifting chain LH1623-105	起升链条LH1623-105	2	H=4300(包含11个)
	255044010068	Lifting chain LH1623-109	起升链条LH1623-109	2	H=4500(包含11个)
	255044010100	Lifting chain LH1623-121	起升链条LH1623-121	2	H=5000(包含11个)
	255044010069	Lifting chain LH1623-131	起升链条LH1623-131	2	H=5500(包含11个)
	255044010070	Lifting chain LH1623-141	起升链条LH1623-141	2	H=6000(包含11个)
1	940200500001	Chain wheel bearing 780708K-φ110xφ40x27	链轮轴承 780708K-φ110xφ40x27	2	
2	910401300020	Circlip GB894.1-40	轴用弹性挡圈 GB894.1-40	2	
3	910400500010	Washer GB93-16	弹簧垫圈 GB93-16	2	
4	910100400029	Bolt GB5786-M16x1.5x40-8.8	螺栓 GB5786-M16x1.5x40-8.8	2	

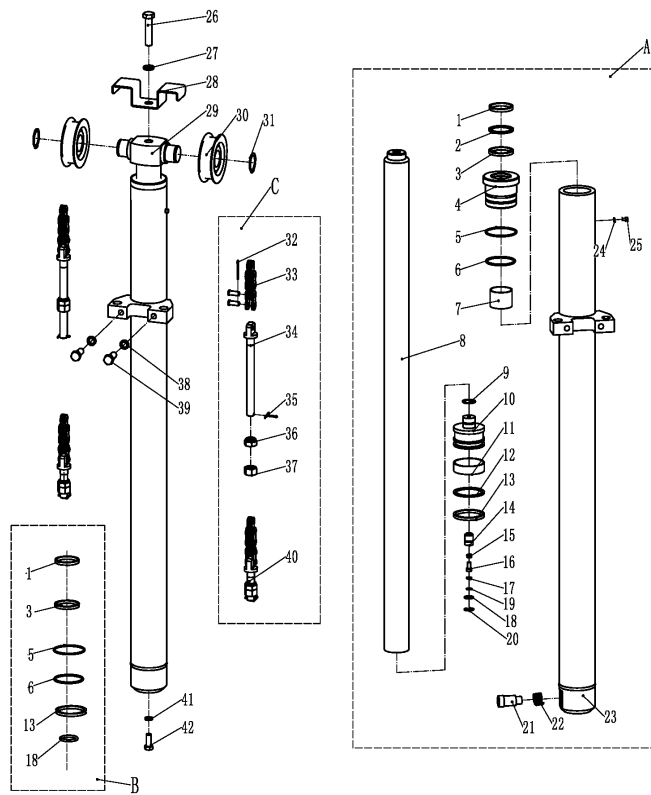
起升油缸 (标准门架) / Lifting cylinder (standard mast)



序号/NO	编码/SN	Name	名称	数量/QTY	备注/Remarks
5	910600600022	Split pin 2.5x40	开口销2.5x40	2	
6	▲	LH1623 chain	LH1623板式链	2	不单独提供
7	255044020157	Joint	长端接头	2	
8	910600600030	Split pin 3.2x30	开口销3.2x30	2	
9	255044020158	Nut M18x1.5	球面螺母M18x1.5	2	
10	910300400007	Nut M18x1.5	螺母M18x1.5	2	
11	255044020128	Fixing ring	固定环	2	
12	255044020129	Rubber bushing	橡胶套	2	
13	255044020130	Fixing seat	固定座	2	
14	910400100007	Washer GB97.1-16-200HV	平垫圈GB97.1-16-200HV	4	
15	910400500007	Washer GB93-10	弹簧垫圈GB93-10	4	
16	910300200002	Nut GB6171-M10x1.25-10	螺母GB6171-M10x1.25-10	4	
17	910100300041	Bolt GB5783-M10x50-8.8	螺栓GB5783-M10x50-8.8	2	
18	910300100007	Nut GB6170-M10-10	螺母GB6170-M10-10	2	
19	255044020156	Joint	短端接头	2	
20	910400100008	Washer GB97.1-12-200HV	平垫圈GB97.1-12-200HV	2	
21	910400500008	Washer GB93-12	弹簧垫圈GB93-12	2	
22	910100400009	Bolt GB5786-M12x1.25x25-8.8	螺栓GB5786-M12x1.25x25-8.8	2	
23	▲	Piston rod	活塞杆	1	不单独提供
24	▲	Adjusting bushing 40.5x49xL2	调整套40.5x49xL2	1	不单独提供
25	▲	Circlip	钢丝挡圈	1	不单独提供
26	▲	Bearing 50x20x2.5	支承50x20x2.5	1	不单独提供
27	▲	Catch 50x40x3	挡片50x40x3	1	不单独提供
28	▲	Seal ring 50x40x6	孔用密封圈	1	不单独提供
29	▲	Piston rod	活塞	1	不单独提供
30	▲	Copper bushing	铜套	1	不单独提供
31	▲	Circlip	钢丝挡圈	1	不单独提供
32	▲	Buffering ring	缓冲环	1	不单独提供
33	▲	Dust ringDKB40x52x7/10	防尘圈	1	不单独提供
34	▲	Seal ring 40x50x6	轴用密封圈	1	不单独提供
35	▲	Guide sleeve	导向套	1	不单独提供

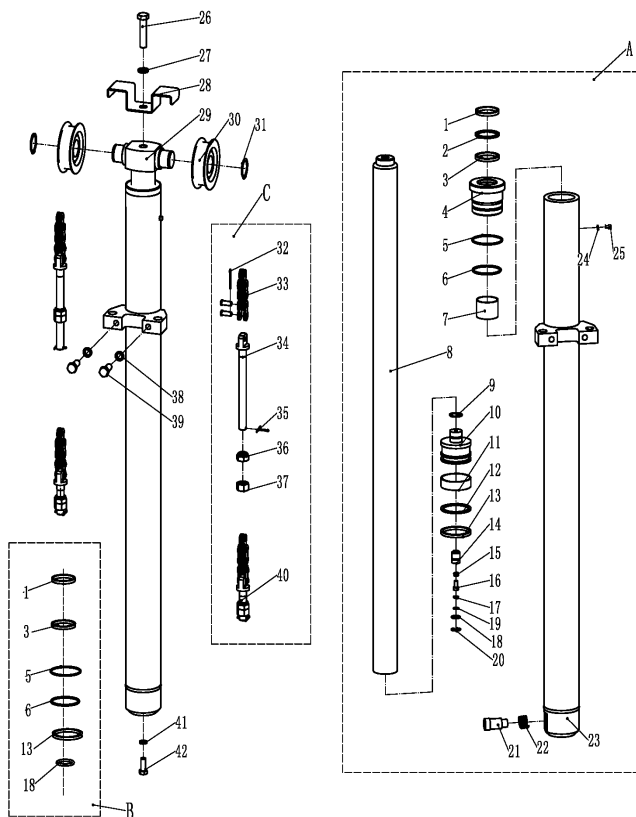


## 短升降油缸(二级全自由)/Short lifting cylinder (two stage full free)



序号/NO	编码/SN	Name	名称	数量/QTY	备注/Remarks
A	255043510068	Cylinder (M)Φ85xΦ60x772(H=3000)	油缸(M)(H=3000)	1	包含/Inc.1-25
	255043510066	Cylinder (M)Φ85xΦ60x522(H=2000)	油缸(M)(H=2000)	1	
	255043510067	Cylinder (M)Φ85xΦ60x647(H=2500)	油缸(M)(H=2500)	1	
	255043510069	Cylinder (M)Φ85xΦ60x847(H=3300)	油缸(M)(H=3300)	1	
	255043510070	Cylinder (M)Φ85xΦ60x897(H=3500)	油缸(M)(H=3500)	1	
	255043510071	Cylinder (M)Φ85xΦ60x922(H=3600)	油缸(M)(H=3600)	1	
	255043510072	Cylinder (M)Φ85xΦ60x947(H=3700)	油缸(M)(H=3700)	1	
	255043510073	Cylinder (M)Φ85xΦ60x1047(H=4000)	油缸(M)(H=4000)	1	
	255043510074	Cylinder (M)Φ85xΦ60x1122(H=4300)	油缸(M)(H=4300)	1	
	255043510075	Cylinder (M)Φ85xΦ60x1172(H=4500)	油缸(M)(H=4500)	1	
	255043510076	Cylinder (M)Φ85xΦ60x1297(H=5000)	油缸(M)(H=5000)	1	
255043510077	Cylinder (M)Φ85xΦ60x1447(H=5500)	油缸(M)(H=5500)	1		
255043510078	Cylinder (M)Φ85xΦ60x1572(H=6000)	油缸(M)(H=6000)	1		
B	255098510004	Seal kits (two stage full free middle cylinder)	密封件修理包(二级全自由中间缸)	1	包含/Inc.1.3.5.6.1 2.18
C	255043510079	Lifting chain LH1623-37	起升链条LH1623-37	2	H=2000
	255043510080	Lifting chain LH1623-47	起升链条LH1623-47	2	H=2500
	255044010059	Lifting chain LH1623-55	起升链条LH1623-55	2	H=3000
	255044510134	Lifting chain LH1623-61	起升链条LH1623-61	2	H=3300
	255044010103	Lifting chain LH1623-65	起升链条LH1623-65	2	H=3500
	255044510135	Lifting chain LH1623-59	起升链条LH1623-59	2	H=3600/3700
	255044510046	Lifting chain LH1623-67	起升链条LH1623-67	2	H=4000
	255044510047	Lifting chain LH1623-73	起升链条LH1623-73	2	H=4300
	255043510139	Lifting chain LH1623-77	起升链条LH1623-77	2	H=4500
	255044010106	Lifting chain LH1623-87	起升链条LH1623-87	2	H=5000
	255043510107	Lifting chain LH1623-99	起升链条LH1623-99	2	H=5500
255043510106	Lifting chain LH1623-109	起升链条LH1623-109	2	H=6000	
1	▲	Dust ring 60x74x8/11	防尘圈	1	不单独提供
2	▲	Catch 60x70x3	挡片60x70x3	1	不单独提供
3	▲	Seal ring 60x70x6	轴用密封圈	1	不单独提供
4	▲	Guide sleeve	导向套	1	不单独提供

## 短升降油缸(二级全自由)/Short lifting cylinder (two stage full free)

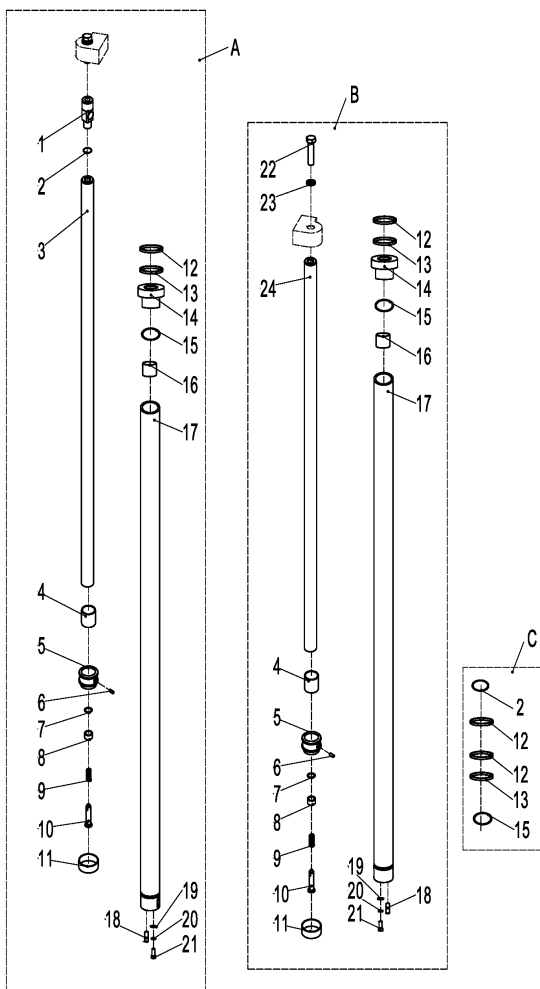


序号/NO	编码/SN	Name	名称	数量/QTY	备注/Remarks
5	▲	O ring 84.4x3.1	O型密封圈	1	不单独提供
6	▲	O ring 77.5x3.55	O型密封圈	1	不单独提供
7	▲	Bearing 6035	钢背轴承6035	1	不单独提供
8	▲	Piston rod	活塞杆	1	不单独提供
9	▲	Circlip	钢丝挡圈	1	不单独提供
10	▲	Piston assembly	活塞总成	1	不单独提供
11	▲	Back up ring D85x20x2.5	支承环D85x20x2.5	1	不单独提供
12	▲	Circlip 85x70x3	挡圈85x70x3	1	不单独提供
13	▲	Seal ring 85x70x9	密封圈	1	不单独提供
14	▲	Valve bushing	阀套	1	不单独提供
15	▲	Spring	弹簧	1	不单独提供
16	▲	Valve plug	阀芯	1	不单独提供
17	▲	Catch	挡片	1	不单独提供
18	▲	O ring D15.8x2.4	O型密封圈	1	不单独提供
19	▲	Circlip φ12	挡圈φ12	1	不单独提供
20	▲	Circlip φ22	挡圈φ22	1	不单独提供
21	▲	Slide valve	滑阀	1	不单独提供
22	▲	Spring	弹簧	1	不单独提供
23	▲	Cylinder	缸体	1	不单独提供
24	▲	Spacer	垫片	1	不单独提供
25	▲	Screw M5x5	螺钉M5x5	1	不单独提供
26	910100100071	Bolt GB5782-M16x50-8.8	螺栓GB5782-M16x50-8.8	1	
27	910400500010	Washer GB93-16	弹簧垫圈GB93-16	1	
28	255043520020	Chain plate	挡链板	1	
29	255043520006	Cylinder head	缸头	1	
30	940200500001	Chain wheel bearing 780708K-φ110xφ40x27	链轮轴承780708K-φ110xφ40x27	1	
31	910401300020	Circlip GB894.1-40	轴用弹性挡圈GB894.1-40	1	
32	910600600022	Split pin 2.5x40	开口销2.5x40	2	
33	▲	LH1623 chain	LH1623板式链	2	不单独提供
34	255044020157	Joint	长端接头	2	
35	910600600030	Split pin 3.2x30	开口销3.2x30	2	





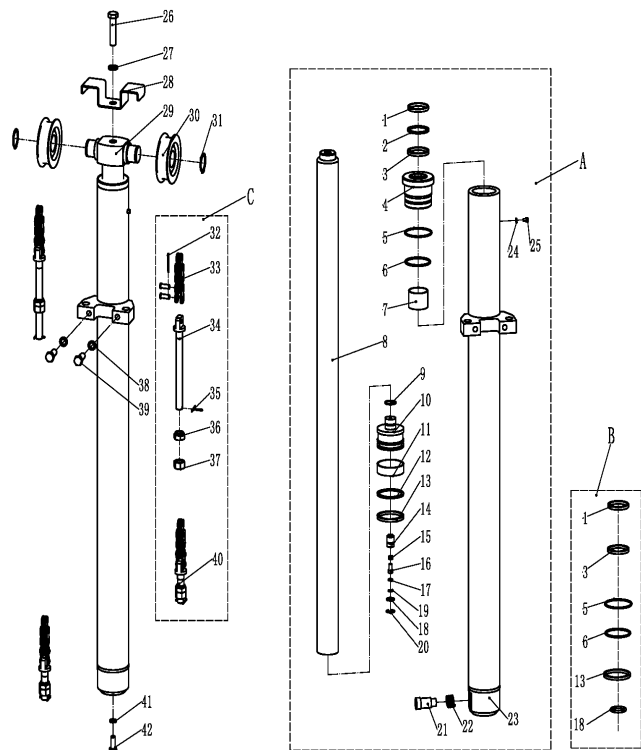
## 起升油缸(二级全自由)/Lifting cylinder (two stage full free)



序号/NO	编码/SN	Name	名称	数量/QTY	备注/Remarks
A	255043510040	Cylinder (L)Φ50xΦ40x940(H=2000)	油缸(L)(H=2000)	1	包含/Inc.1-21
	255043510041	Cylinder (L)Φ50xΦ40x1190(H=2500)	油缸(L)(H=2500)	1	
	255043510042	Cylinder (L)Φ50xΦ40x1440(H=3000)	油缸(L)(H=3000)	1	
	255043510043	Cylinder (L)Φ50xΦ40x1590(H=3300)	油缸(L)(H=3300)	1	
	255043510044	Cylinder (L)Φ50xΦ40x1690(H=3500)	油缸(L)(H=3500)	1	
	255043510045	Cylinder (L)Φ50xΦ40x1740(H=3600)	油缸(L)(H=3600)	1	
	255043510046	Cylinder (L)Φ50xΦ40x1790(H=3700)	油缸(L)(H=3700)	1	
	255043510047	Cylinder (L)Φ50xΦ40x1890(H=4000)	油缸(L)(H=4000)	1	
	255043510048	Cylinder (L)Φ50xΦ40x2040(H=4300)	油缸(L)(H=4300)	1	
	255043510049	Cylinder (L)Φ50xΦ40x2140(H=4500)	油缸(L)(H=4500)	1	
	255043510050	Cylinder (L)Φ50xΦ40x2390(H=5000)	油缸(L)(H=5000)	1	
	255043510051	Cylinder (L)Φ50xΦ40x2590(H=5500)	油缸(L)(H=5500)	1	
	255043510052	Cylinder (L)Φ50xΦ40x2840(H=6000)	油缸(L)(H=6000)	1	
B	255043510053	Cylinder (R)Φ50xΦ40x940(H=2000)	油缸(R)(H=2000)	1	包括/Inc.4-21.24
	255043510054	Cylinder (R)Φ50xΦ40x1190(H=2500)	油缸(R)(H=2500)	1	
	255043510055	Cylinder (R)Φ50xΦ40x1440(H=3000)	油缸(R)(H=3000)	1	
	255043510056	Cylinder (R)Φ50xΦ40x1590(H=3300)	油缸(R)(H=3300)	1	
	255043510057	Cylinder (R)Φ50xΦ40x1690(H=3500)	油缸(R)(H=3500)	1	
	255043510058	Cylinder (R)Φ50xΦ40x1740(H=3600)	油缸(R)(H=3600)	1	
	255043510059	Cylinder (R)Φ50xΦ40x1790(H=3700)	油缸(R)(H=3700)	1	
	255043510060	Cylinder (R)Φ50xΦ40x1890(H=4000)	油缸(R)(H=4000)	1	
	255043510061	Cylinder (R)Φ50xΦ40x2040(H=4300)	油缸(R)(H=4300)	1	
	255043510062	Cylinder (R)Φ50xΦ40x2140(H=4500)	油缸(R)(H=4500)	1	
	255043510063	Cylinder (R)Φ50xΦ40x2390(H=5000)	油缸(R)(H=5000)	1	
	255043510064	Cylinder (R)Φ50xΦ40x2590(H=5500)	油缸(R)(H=5500)	1	
	255043510065	Cylinder (R)Φ50xΦ40x2840(H=6000)	油缸(R)(H=6000)	1	
C	255098510002	Seal kits (two stage full free lifting cylinder)	密封件修理包(二级全自由起升缸)	2	包含/Inc. 2, 12, 13, 15
1	▲	Connecting rod	左连接杆	1	不单独提供
2	▲	O ring 26x2.4	O型密封圈	1	不单独提供
3	▲	Piston rod assembly	左柱塞杆总成	1	不单独提供
4	▲	Adjusting bushing	调整套	2	不单独提供

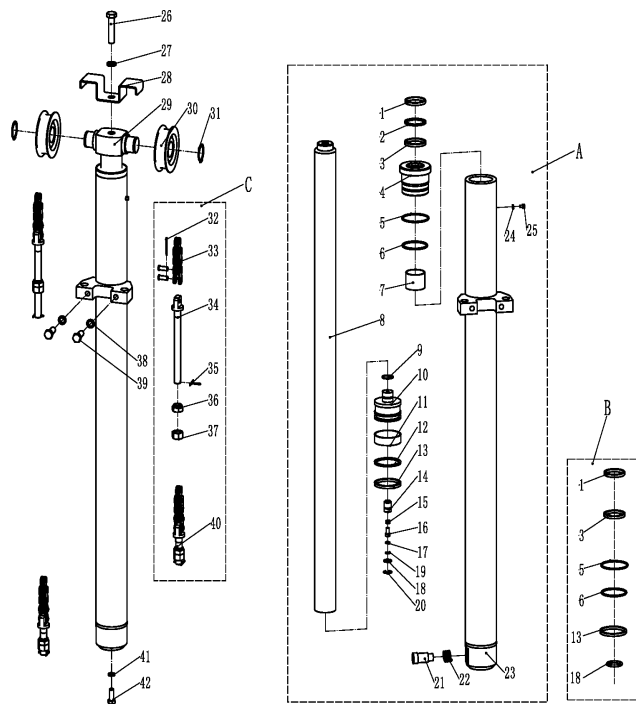


### 短升降油缸 (三级全自由) / Short lifting cylinder (three stage full free)



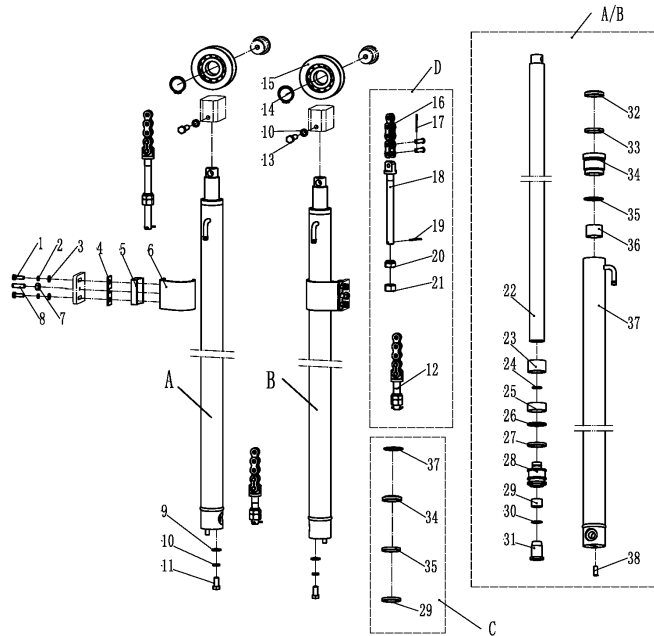
序号/NO	编码/SN	Name	名称	数量/QTY	备注/Remarks
A	255044510100	Cylinder (M)Φ75xΦ50x622(H=3600)	油缸(M)(H=3600)	1	包含/Inc.1-25
	255044510050	Cylinder (M)Φ75xΦ50x685(H=4000)	油缸(M)(H=4000)	1	
	255044510051	Cylinder (M)Φ75xΦ50x748(H=4300)	油缸(M)(H=4300)	1	
	255044510052	Cylinder (M)Φ75xΦ50x772(H=4500)	油缸(M)(H=4500)	1	
	255044510053	Cylinder (M)Φ75xΦ50x822(H=4800)	油缸(M)(H=4800)	1	
	255044510054	Cylinder (M)Φ75xΦ50x879(H=5000)	油缸(M)(H=5000)	1	
	255044510055	Cylinder (M)Φ75xΦ50x995(H=5500)	油缸(M)(H=5500)	1	
	255044510056	Cylinder (M)Φ75xΦ50x1112(H=6000)	油缸(M)(H=6000)	1	
	255044510103	Cylinder (M)Φ75xΦ50x1229(H=6500)	油缸(M)(H=6500)	1	
B	255098510005	Seal kits (three stage full free lifting cylinder)	密封件修理包(三级全自由中间缸)	1	包含inc.1.3.5.6.13 18
C	255044510124	Lifting chain LH1623-45	起升链条LH1623-45	2	H=3600
	255044510044	Lifting chain LH1623-47	起升链条LH1623-47	2	H=4000
	255044510045	Lifting chain LH1623-53	起升链条LH1623-53	2	H=4300
	255044010060	Lifting chain LH1623-55	起升链条LH1623-55	2	H=4500
	255044510133	Lifting chain LH1623-59	起升链条LH1623-59	2	H=4800
	255044510134	Lifting chain LH1623-63	起升链条LH1623-63	2	H=5000
	255044510135	Lifting chain LH1623-61	起升链条LH1623-61	2	H=5500
	255044510136	Lifting chain LH1623-71	起升链条LH1623-71	2	H=6000
	255044510137	Lifting chain LH1623-81	起升链条LH1623-81	2	H=6500
1	▲	Dust ring 50x58x6.5	防尘圈	1	不单独提供
2	▲	Catch 50×60×3	挡片50×60×3	1	不单独提供
3	▲	Seal ring 50×60×6	轴用密封圈	1	不单独提供
4	▲	Glide sleeve	导向套	1	不单独提供
5	▲	O ring 74.4x3.1	O型密封圈	1	不单独提供
6	▲	O ring 69×3.55	O型密封圈	1	不单独提供
7	▲	Bearing5040	钢背轴承5040	1	不单独提供
8	▲	Piston rod	活塞杆	1	不单独提供
9	▲	Circlip	钢丝挡圈	1	不单独提供
10	▲	Piston assembly	活塞总成	1	不单独提供
11	▲	Support ring 75x20x2.5	支承环75x20x2.5	1	不单独提供
12	▲	Support ring 75x65x3	支承环75x65x3	1	不单独提供

### 短升降油缸 (三级全自由) / Short lifting cylinder (three stage full free)



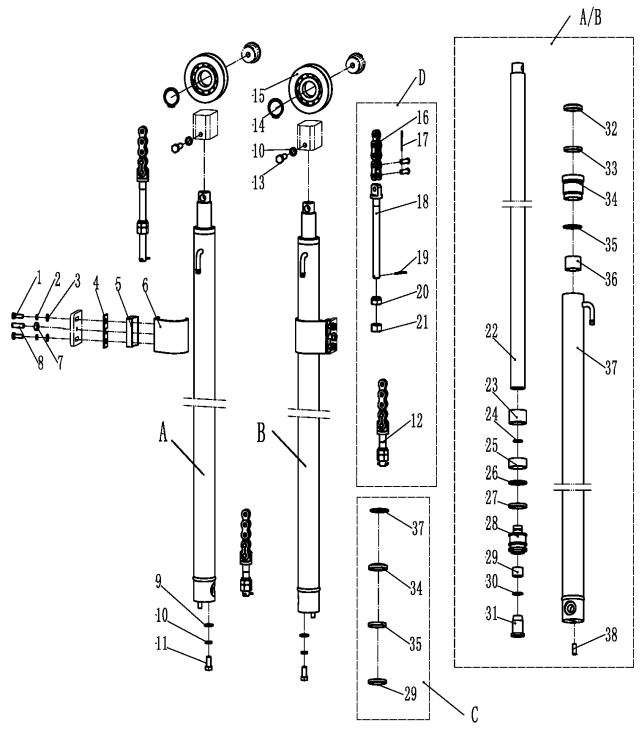
序号/NO	编码/SN	Name	名称	数量/QTY	备注/Remarks
13	▲	Seal ring 75x65x6	孔用密封圈	1	不单独提供
14	▲	Valve cover	阀套	1	不单独提供
15	▲	Spring	弹簧	1	不单独提供
16	▲	Valve plug	阀芯	1	不单独提供
17	▲	Catch	挡片	1	不单独提供
18	▲	O ring D20x2.4	O型密封圈	1	不单独提供
19	▲	Circlip 12	孔用弹性挡圈12	1	不单独提供
20	▲	Circlip 22	孔用弹性挡圈22	1	不单独提供
21	▲	Slide valve	滑阀	1	不单独提供
22	▲	Spring 2.3x15x48.5	弹簧 2.3x15x48.5	1	不单独提供
23	▲	Cylinder	缸体	1	不单独提供
24	▲	Spacer	垫片	1	不单独提供
25	▲	Screw M5x5	内六角圆柱头螺钉 M5x5	1	不单独提供
26	910100100071	Bolt GB5782-M16x50-8.8	螺栓 GB5782-M16x50-8.8	1	
27	910400500010	Washer GB93-16	弹簧垫圈 GB93-16	1	
28	255043520020	Block chain plate	挡链板	1	
29	255043520006	Cylinder head	缸头	1	
30	940200500001	Chain wheel bearing 780708K-φ110xφ40x27	链轮轴承 780708K-φ110xφ40x27	2	
31	910401300020	Circlip GB894.1-40	轴用弹性挡圈 GB894.1-40	2	
32	910600600022	split pin 2.5x40	开口销 2.5x40	2	
33	▲	LH1623 chain	LH1623板式链	2	不单独提供
34	255044020157	Joint	长端接头	2	
35	910600600030	Split pin 3.2x30	开口销 3.2x30	2	
36	255044020158	Nut M18x1.5	球面螺母 M18x1.5	2	
37	910300400007	Nut M18x1.5	螺母 M18x1.5	2	
38	910400500009	Washer GB93-14	弹簧垫圈 GB93-14	2	
39	910100400022	Bolt GB5786-M14x1.5x40-8.8	螺栓 GB5786-M14x1.5x40-8.8	2	
41	255044020156	Joint	短端接头	2	
42	910400500008	Spring Washer GB93-12	弹簧垫圈 GB93-12	1	
43	910100400009	Bolt GB5786-M12x1.25x25-8.8	螺栓 GB5786-M12x1.25x25-8.8	1	

起升油缸 (三级全自由) /Lifting cylinder (three stage full free)



序号/NO	编码/SN	Name	名称	数量/QTY	备注/Remarks
A	255044510104	Cylinder (L)Φ50xΦ40x1174	油缸(L)(H=3600)	1	包含/Inc.24-40
	255044510004	Cylinder (L)Φ50xΦ40x1312	油缸(L)(H=4000)	1	
	255044510005	Cylinder (L)Φ50xΦ40x1424	油缸(L)(H=4300)	1	
	255044510006	Cylinder (L)Φ50xΦ40x1474	油缸(L)(H=4500)	1	
	255044510007	Cylinder (L)Φ50xΦ40x1574	油缸(L)(H=4800)	1	
	255044510008	Cylinder (L)Φ50xΦ40x1617	油缸(L)(H=5000)	1	
	255044510009	Cylinder (L)Φ50xΦ40x1751	油缸(L)(H=5500)	1	
	255044510010	Cylinder (L)Φ50xΦ40x1884	油缸(L)(H=6000)	1	
	255044510107	Cylinder (L)Φ50xΦ40x2017	油缸(L)(H=6500)	1	
B	255044510108	Cylinder (R)Φ50xΦ40x1174	油缸(R)(H=3600)	1	包含/Inc. 24-40
	255044510011	Cylinder (R)Φ50xΦ40x1312	油缸(R)(H=4000)	1	
	255044510012	Cylinder (R)Φ50xΦ40x1424	油缸(R)(H=4300)	1	
	255044510013	Cylinder (R)Φ50xΦ40x1474	油缸(R)(H=4500)	1	
	255044510014	Cylinder (R)Φ50xΦ40x1574	油缸(R)(H=4800)	1	
	255044510015	Cylinder (R)Φ50xΦ40x1617	油缸(R)(H=5000)	1	
	255044510016	Cylinder (R)Φ50xΦ40x1751	油缸(R)(H=5500)	1	
	255044510017	Cylinder (R)Φ50xΦ40x1884	油缸(R)(H=6000)	1	
	255044510111	Cylinder (R)Φ50xΦ40x2017	油缸(R)(H=6500)	1	
C	255098510003	Seal kits(three stage full free lifting cylinder)	密封件修理包(三级全自由起升缸)	2	包含/Inc.29.34.35.37
D	255044510134	Lifting chainLH1623-63	起升链条LH1623-63	2	H=3600
	255044510046	Lifting chainLH1623-69	起升链条LH1623-69	2	H=4000
	255044510138	Lifting chainLH1623-73	起升链条LH1623-73	2	H=4300
	255044510047	Lifting chainLH1623-75	起升链条LH1623-75	2	H=4500
	255043510139	Lifting chainLH1623-79	起升链条LH1623-79	2	H=4800
	255044510140	Lifting chainLH1623-85	起升链条LH1623-85	2	H=5000
	255044510048	Lifting chainLH1623-95	起升链条LH1623-95	2	H=5500
	255044510049	Lifting chainLH1623-103	起升链条LH1623-103	2	H=6000
255044510125	Lifting chainLH1623-113	起升链条LH1623-113	2	H=6500	
1	910100300023	Bolt GB5783-M8x25-8.8	螺栓GB5783-M8x25-8.8	4	
2	910400500006	Washer GB93-8	弹簧垫圈GB93-8	4	
3	910400100006	Washer GB97.1-8-200HV	平垫圈GB97.1-8-200HV	4	

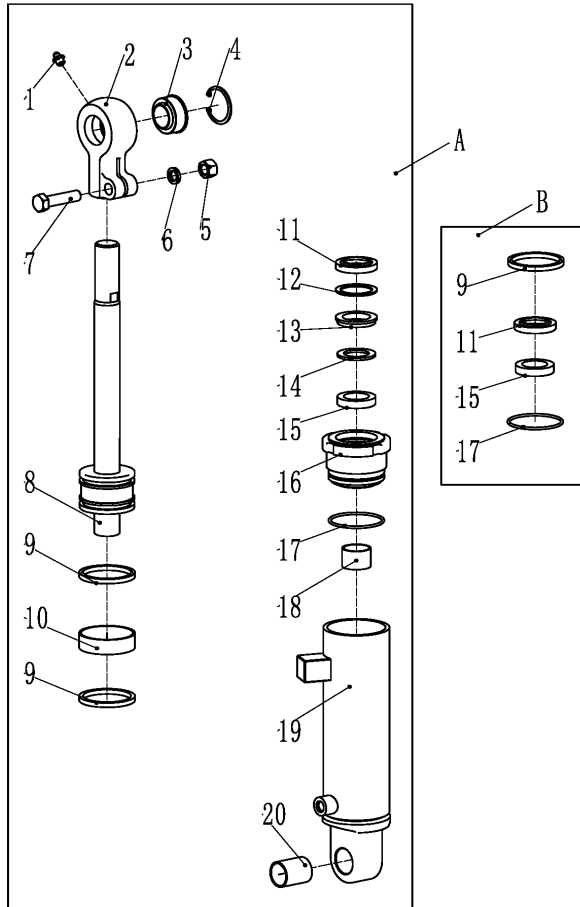
### 起升油缸 (三级全自由) /Lifting cylinder (three stage full free)



序号/NO	编码/SN	Name	名称	数量/QTY	备注/Remarks
4	255044520099	Rubber pad	橡胶垫	2	
5	255044520100	Support block	支撑块	2	
6	255044520098	Blendboard	弯板	2	
8	910300100007	Screw M10x35-8.8	螺钉M10x35-8.8	2	
9	941100100003	Nut GB6170-M10-10	螺母GB6170-M10-10	2	
10	910400100008	Washer GB97.1-12-200HV	平垫圈GB97.1-12-200HV	2	
11	910400500008	Washer GB93-12	弹簧垫圈GB93-12	4	
12	910100400009	Bolt GB5786-M12x1.25x25-8.8	螺栓GB5786-M12x1.25x25-8.8	2	
13	▲	Joint	短端接头	2	
15	910100300053	Bolt GB5783-M12x45-8.8	螺栓GB5783-M12x45-8.8	2	
16	910401300020	Circlip GB894.1-40	轴用弹性挡圈GB894.1-40	2	
17	940200500005	Chain wheel bearing 780708K-φ110xφ40x27	链轮轴承780708K-φ110xφ40x27	2	
18	▲	LH1623 chain	LH1623板式链	2	不单独提供
19	▲	Split pin 2.5x40	开口销2.5x40	2	不单独提供
20	▲	Joint	长端接头	2	不单独提供
21	▲	Split pin 3.2x30	开口销3.2x30	2	不单独提供
22	▲	Nut M18x1.5	球面螺母M18x1.5	2	不单独提供
23	▲	Nut M18x1.5	螺母M18x1.5	2	不单独提供
24	▲	Piston rod	活塞杆	1	不单独提供
25	▲	Adjusting bushing 40.5x49xL2	调整套40.5x49xL2	1	不单独提供
26	▲	Circlip φ24x2	钢丝挡圈φ24x2	1	不单独提供
27	▲	Bearing 50x20x2.5	支承50x20x2.5	1	不单独提供
28	▲	Catch 50x40x3	挡片50x40x3	1	不单独提供
29	▲	Seal ring 50x40x6	孔用密封圈	1	不单独提供
30	▲	Piston	活塞	1	不单独提供
31	▲	Copper bushing	铜套	1	不单独提供
32	▲	Circlip φ26.5x2	钢丝挡圈φ26.5x2	1	不单独提供
33	▲	Buffer ring	缓冲环	1	不单独提供
34	▲	Dust ring DKB40x52x7/10	防尘圈	1	不单独提供
35	▲	Seal ring 40x50x6	轴用密封圈	1	不单独提供
36	▲	Guide bushing	导向套	1	不单独提供



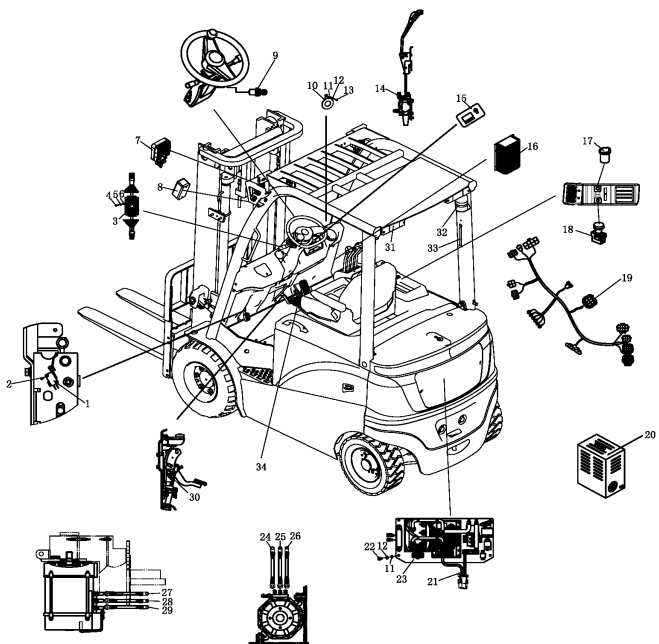
### 倾斜油缸/Tilted cylinder



序号/NO	编码/SN	Name	名称	数量/QTY	备注/Remarks
A	255020510001	Tilted cylinder (6/10)	左倾斜油缸(6/10)	1	H≤3700,Left
	255020510002	Tilted cylinder (6/6)	左倾斜油缸(6/6)	1	3700<H≤5000,Left
	255020510003	Tilted cylinder (3/6)	左倾斜油缸(3/6)	1	5000<H,Left
A	255020510005	Tilted cylinder (6/10)	右倾斜油缸(6/10)	1	H≤3700,Right
	255020510006	Tilted cylinder (6/6)	右倾斜油缸(6/6)	1	3700<H≤5000,Right
	255020510007	Tilted cylinder (3/6)	右倾斜油缸(3/6)	1	5000<H,Right
B	255098510006	Seal kits (tilted cylinder)	密封件修理包(倾斜缸)	2	巴鲁姆.9.11.15.17
1	▲	Grease mouth Z1/8	直通式滑脂嘴Z1/8	2	不单独提供
2	255098520501	Earring	耳环	2	
3	255098520503	Bearing GE30ES	关节轴承GE30ES	2	
4	▲	Circlip 47	挡圈47	2	不单独提供
5	▲	NutM14	螺母M14	2	不单独提供
6	▲	Washer14	垫圈14	2	不单独提供
7	▲	BoltM14x55	螺栓M14x55	2	不单独提供
8	▲	Piston body assembly	活塞体总成	2	不单独提供
9	▲	Yx seal ring D70x60x6	Yx型密封圈	2	不单独提供
10	▲	Support ring D70x20x2.5	支承环D70x20x2.5	2	不单独提供
11	▲	Dust ring 52x32x8/9	防尘圈	2	不单独提供
12	▲	Circlip 52	挡圈52	2	不单独提供
13	▲	Circlip	挡圈	2	不单独提供
14	▲	Catch 48x32x3	挡片48x32x3	2	不单独提供
15	▲	Useal ring 48x32x10	U型密封圈	2	不单独提供
16	▲	Guide sleeve	导向套	2	不单独提供
17	▲	O seal ring 70x3.1	O型密封圈	2	不单独提供
18	▲	Bearing 3225	钢背轴承3225	2	不单独提供
19	▲	Cylinder barrel assembly	缸筒总成	2	不单独提供
20	255098520520	Bearing 3040	钢背轴承3040	2	



### 252198501058 电器系统/Electric system



序号/NO	编码/SN	Name	名称	数量/QTY	备注/Remarks
1	920200300009	Micro switch	微动开关	1	叉车制动/parking brake
2	910400100003	Washer GB97.1-4-200HV	平垫圈GB97.1-4-200HV	2	
3	920200800013	Combination switch	组合开关	1	
4	910200500038	Screw GB818-M5x12-4.8	螺钉GB818-M5x12-4.8	4	
5	910400500004	Washer GB93-5	弹簧垫圈GB93-5	8	
6	910400100004	Washer GB97.1-5-200HV	平垫圈GB97.1-5-200HV	8	
7	922000100001	Light PDL-LXZM-1	灯PDL-LXZM-1	2	前大灯/headlamp
8	922000100002	Light PDL-LXXD-1	灯PDL-LXXD-1	2	前转向灯/front turn signal lamp
9	920200200031	Key switch	钥匙开关	1	
10	920500100001	Horn 125-DC24V	喇叭125-DC24V	1	
11	910400100005	Washer GB97.1-6-200HV	平垫圈GB97.1-6-200HV	1	
12	910400500005	Washer GB93-6	弹簧垫圈GB93-6	1	
13	910200500051	Screw GB818-M6x12-4.8	螺钉GB818-M6x12-4.8	1	
14	920200300004	Micro switch RZ-15GQ22-B3	微动开关	3	多路阀/multi-way valve
15	921100100063	Indicator 3401-12-80V	仪表3401	1	Curtis
	921100100039	Indicator IDD-E-35CD17B	仪表IDD-E-35CD17B	1	Inmotion
16	921900100001	Transducer DC48V 24V	转换器DC48V转24V	1	
17	921900100004	Transducer DC24V 5V	转换器DC24V转5V	4	
18	920200100020	Emergency stop switch LAY39-01MJ-RC	急停开关LAY39-01MJ-RC	1	
19	255033010018	Body wiring harness (Curtis--F-4P25N)	车身线束(Curtis-F-4P25N)	1	Curtis-F
	255033010011	Body wiring harness (Inmotion-4P25N)	车身线束(Inmotion-4P25N)	1	Inmotion
20	921000200079	Charger SN48V80A(Asia Chinese)	充电器SN48V80A(亚中)	1	600\630Ah
	921000200080	Charger SN48V80A(Asia English)	充电器SN48V80A(亚英)	1	600\630Ah
	921000200081	Charger SN48V80A(Europe)	充电器SN48V80A(欧)	1	600\630Ah
	921000200082	Charger SN48V80A(England)	充电器SN48V80A(英)	1	600\630Ah
	921000200083	Charger SN48V80A(Australian)	充电器SN48V80A(澳)	1	600\630Ah
	921000200084	Charger SN48V80A(America)	充电器SN48V80A(美)	1	600\630Ah
	921000200097	Charger SN48V100A(Asia Chinese)	充电器SN48V100A(亚中)	1	700\770Ah
	921000200098	Charger SN48V100A(Asia English)	充电器SN48V100A(亚英)	1	700\770Ah
	921000200099	Charger SN48V100A(Europe)	充电器SN48V100A(欧)	1	700\770Ah
	921000200100	Charger SN48V100A(England)	充电器SN48V100A(英)	1	700\770Ah



















